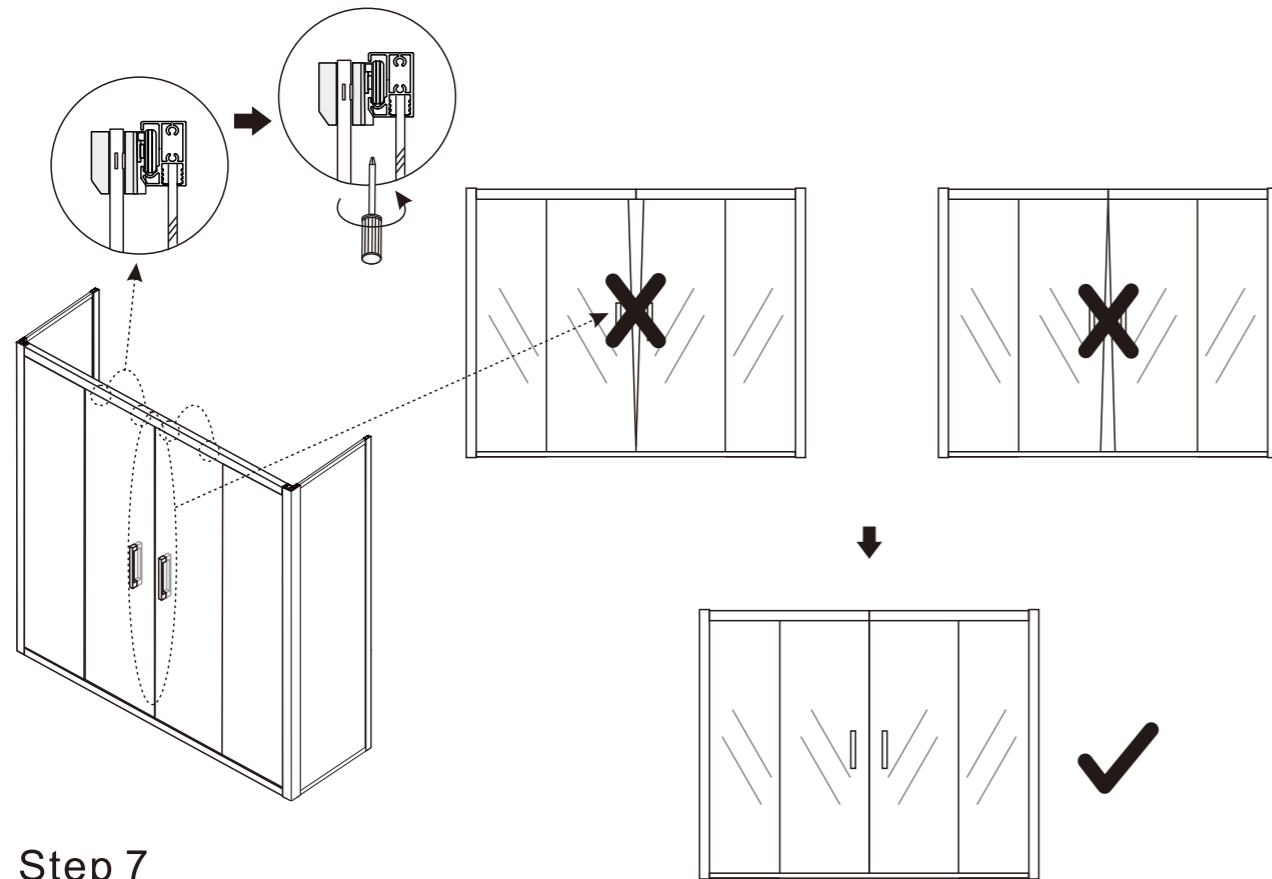
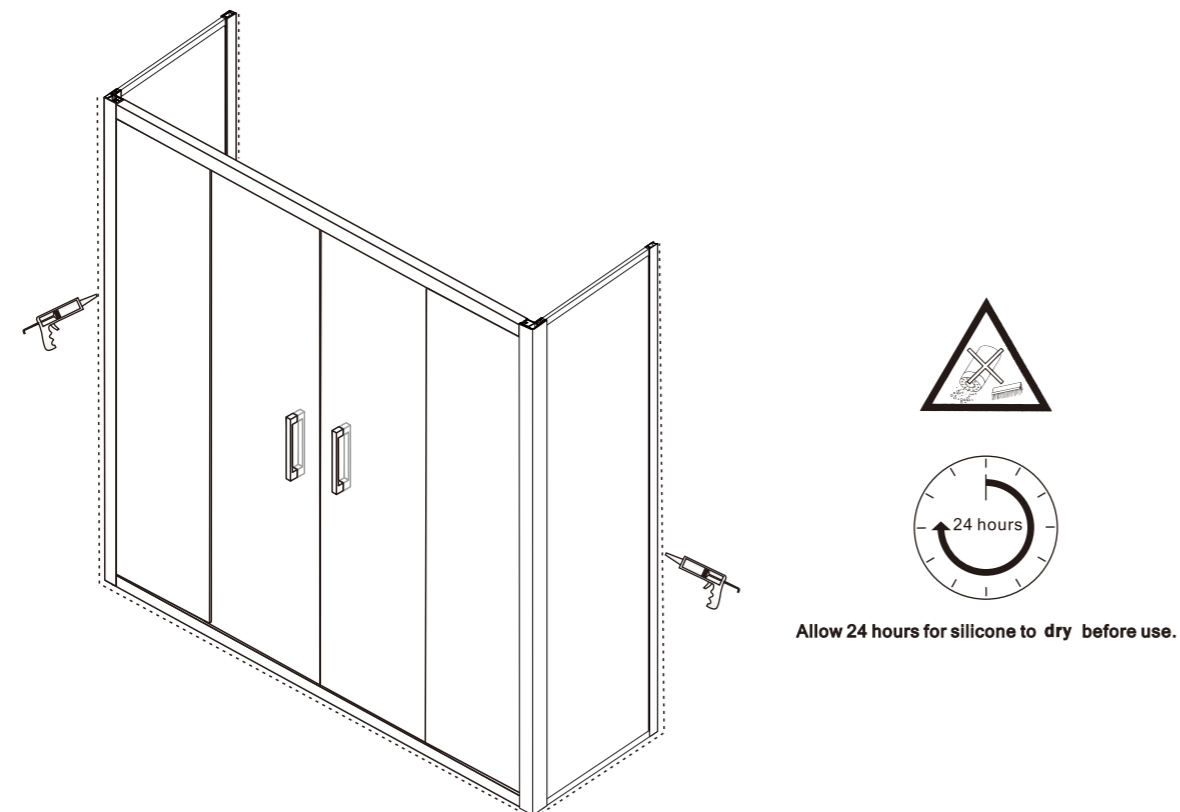


Step 6

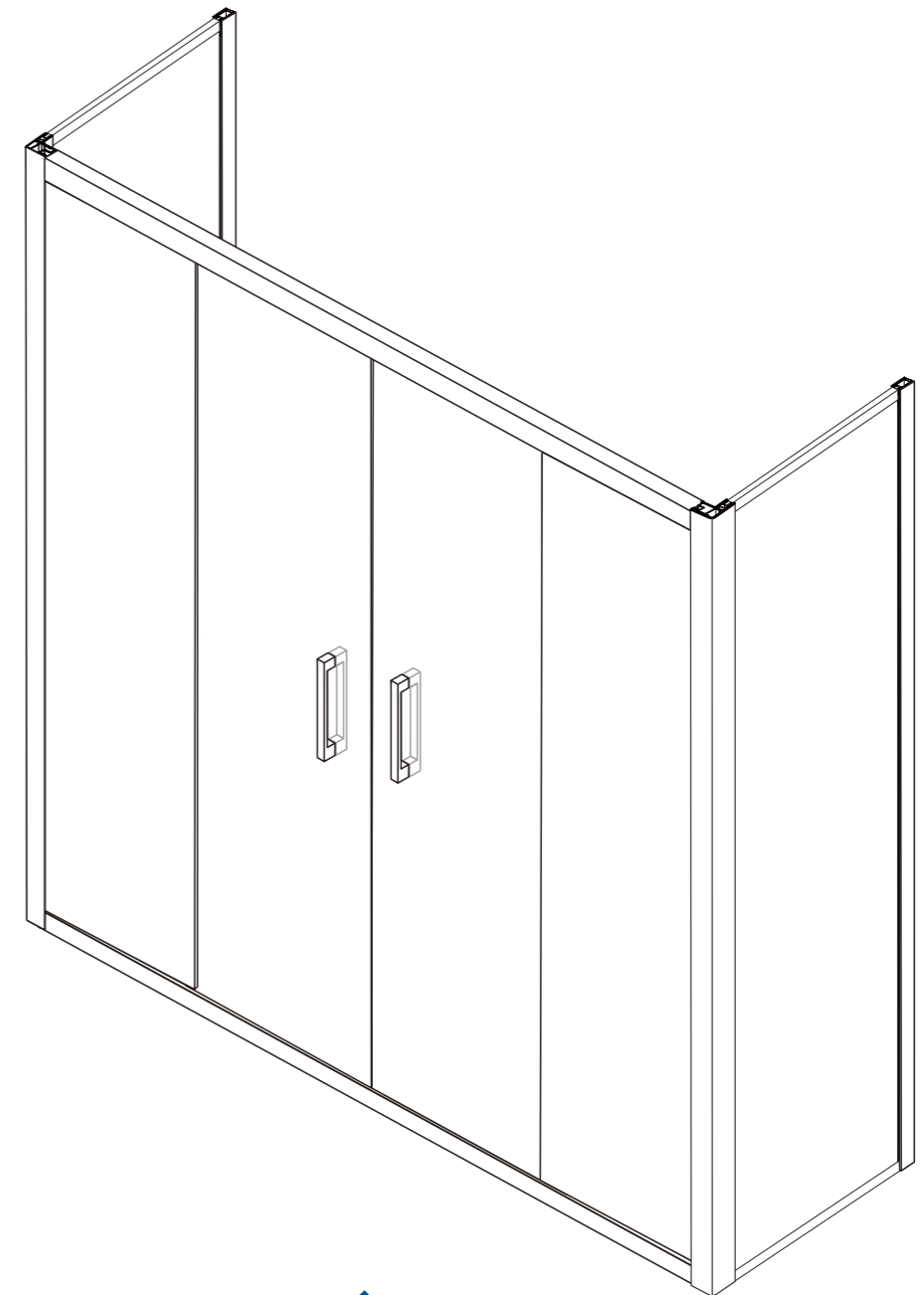


Step 7



# INSTALLATION MANUAL

## NEPTUM Double Sliding Doors with 2 Side Panels (Three-Sides installation )



BayKer Italia S.p.A. via Ghiarola Nuova, 85/87 – 41042 Fiorano Modenese (MO) – ITALY  
www.iperceramica.it

## ◆ General Information

Please inspect the product immediately upon receipt for transit damage, missing packs/parts or manufacturing fault. Damage reported later cannot be accepted. Please handle the product with care avoiding knocks and shock loading to all sides and edges of the glass.

### Notes: Safety glass can not be re-worked.

Please read these instructions carefully before start of installation.

Special care should be taken when drilling walls to avoid hidden pipes or electrical cables.

Note: This product is heavy and may require two people to install.

### Aftercare instructions

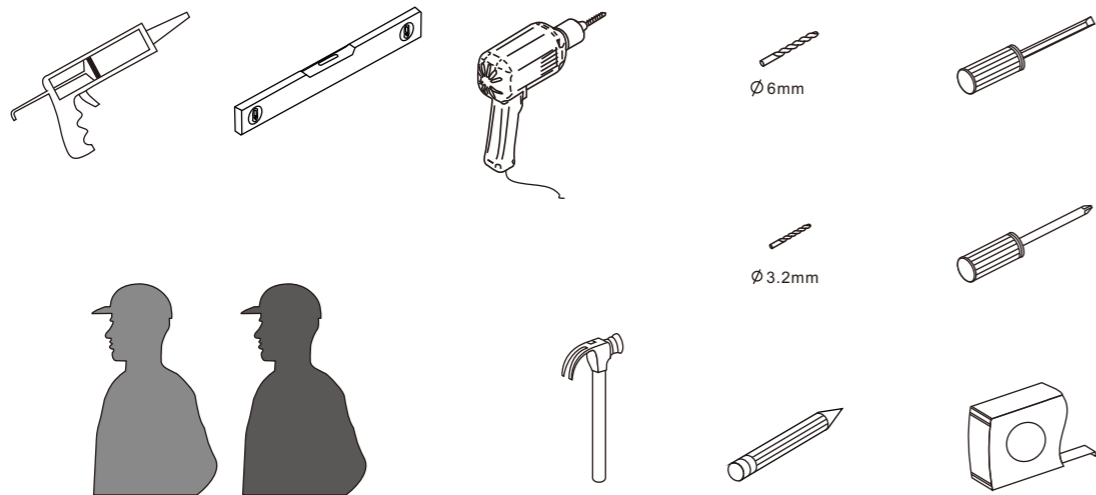
After use, your shower should be cleaned with soap and water. This is particularly important in hard water districts where insoluble lime salts may be deposited and allowed to build up.

Cleaners of a gritty or abrasive nature should not be used. Care should be taken to avoid contact with strong chemicals such as organic solvents and strippers.

Glass cleaners can be used but with caution, if in doubt contact the manufacturer of the cleaner in question.

Please keep these instructions for aftercare and customer service details.

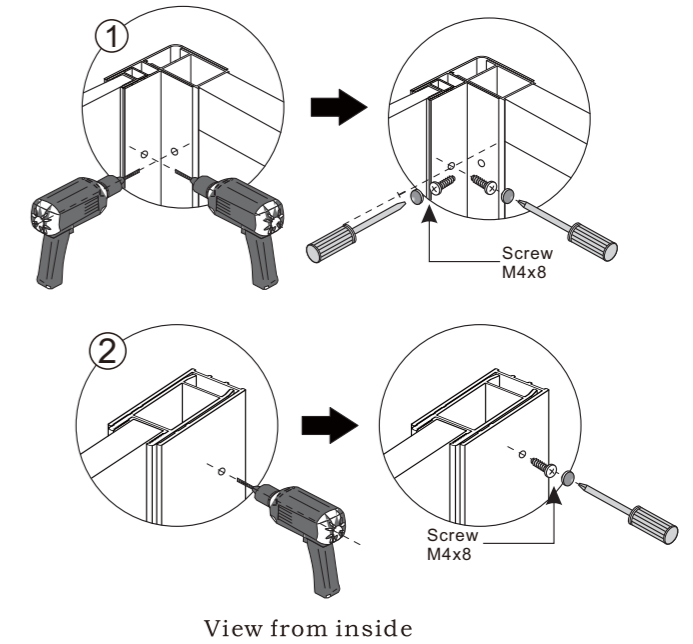
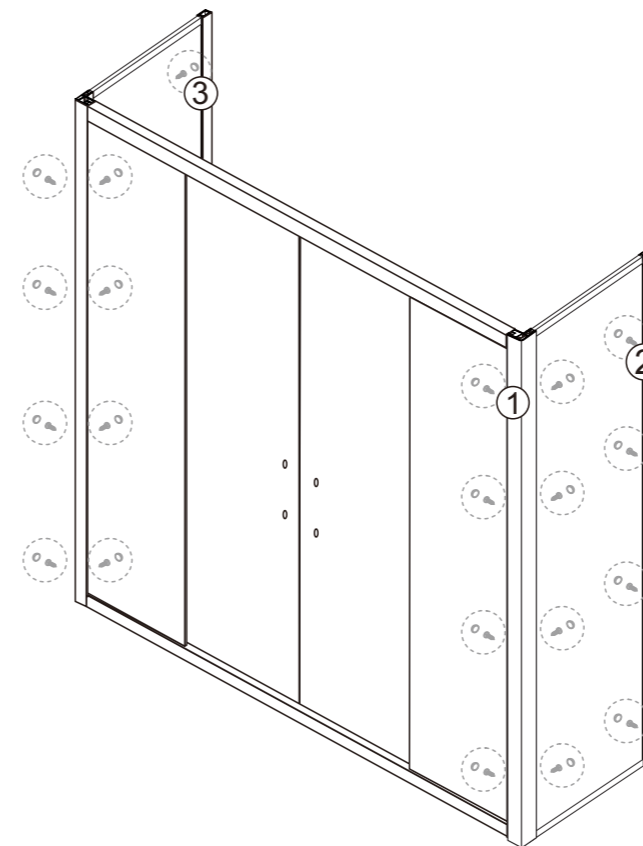
### Tools Required



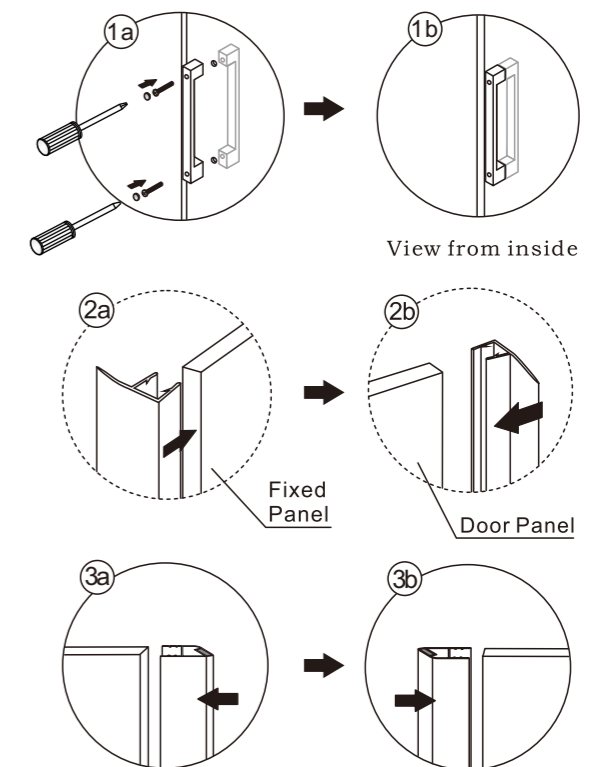
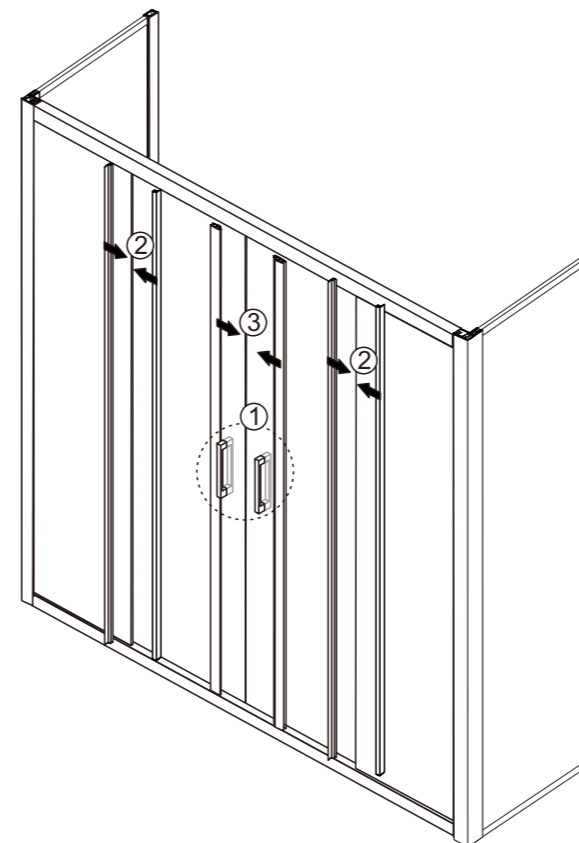
This product is heavy and may require two people to install.



### Step 5

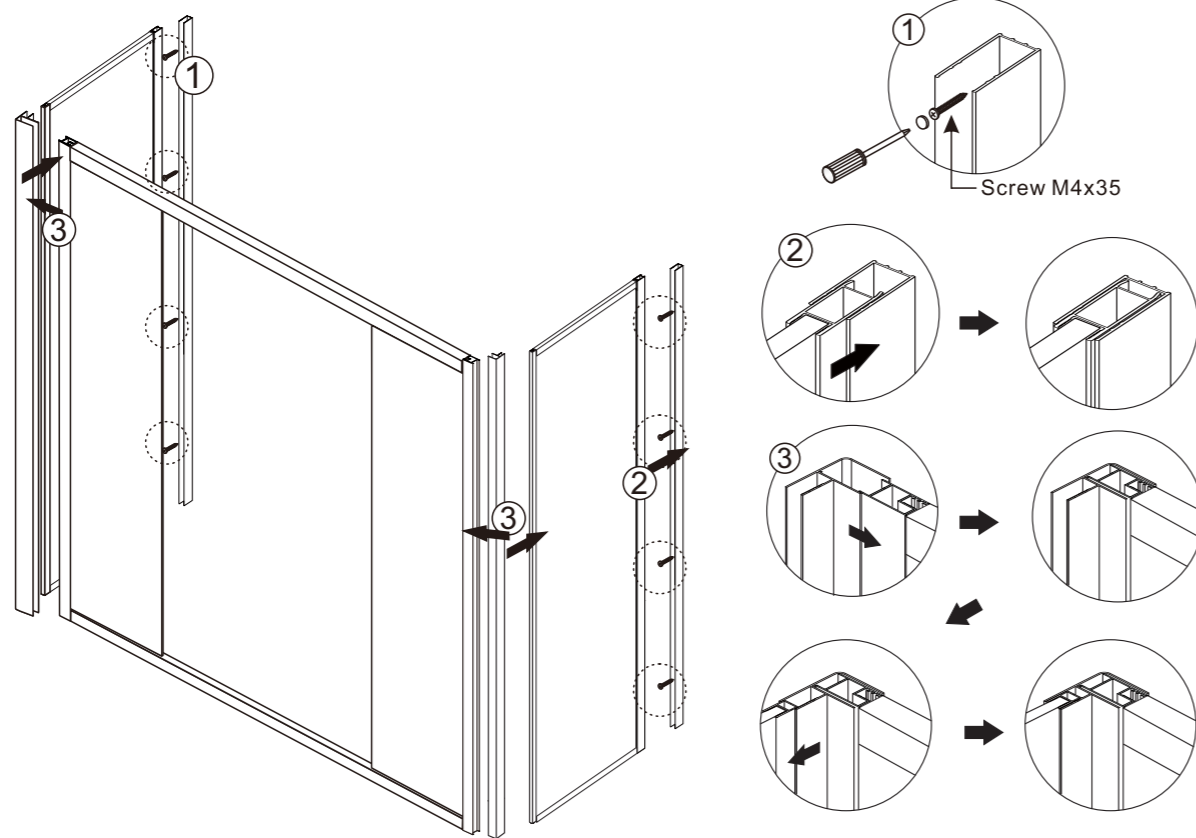


### Step 6

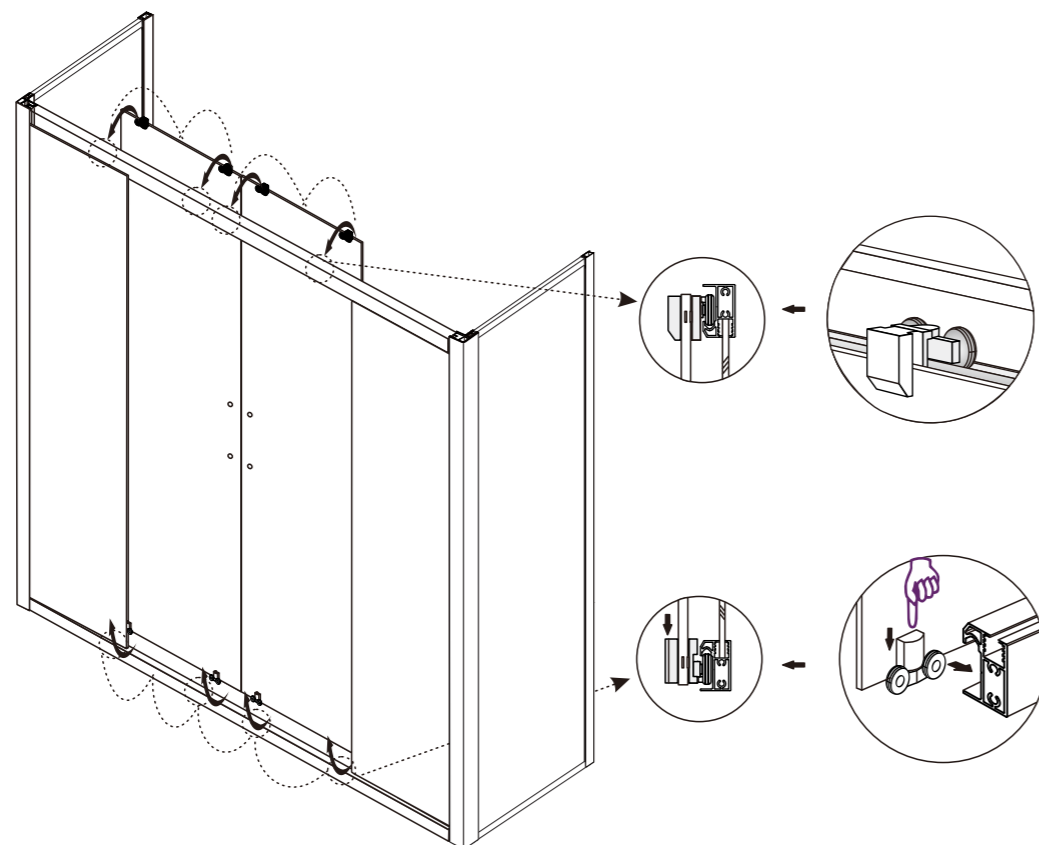


⚠ Ensure wall profiles are plumb. Adjust enclosure to be square and level. Wheels should be adjusted to square the doors and ensure smooth running.

### Step 3



### Step 4



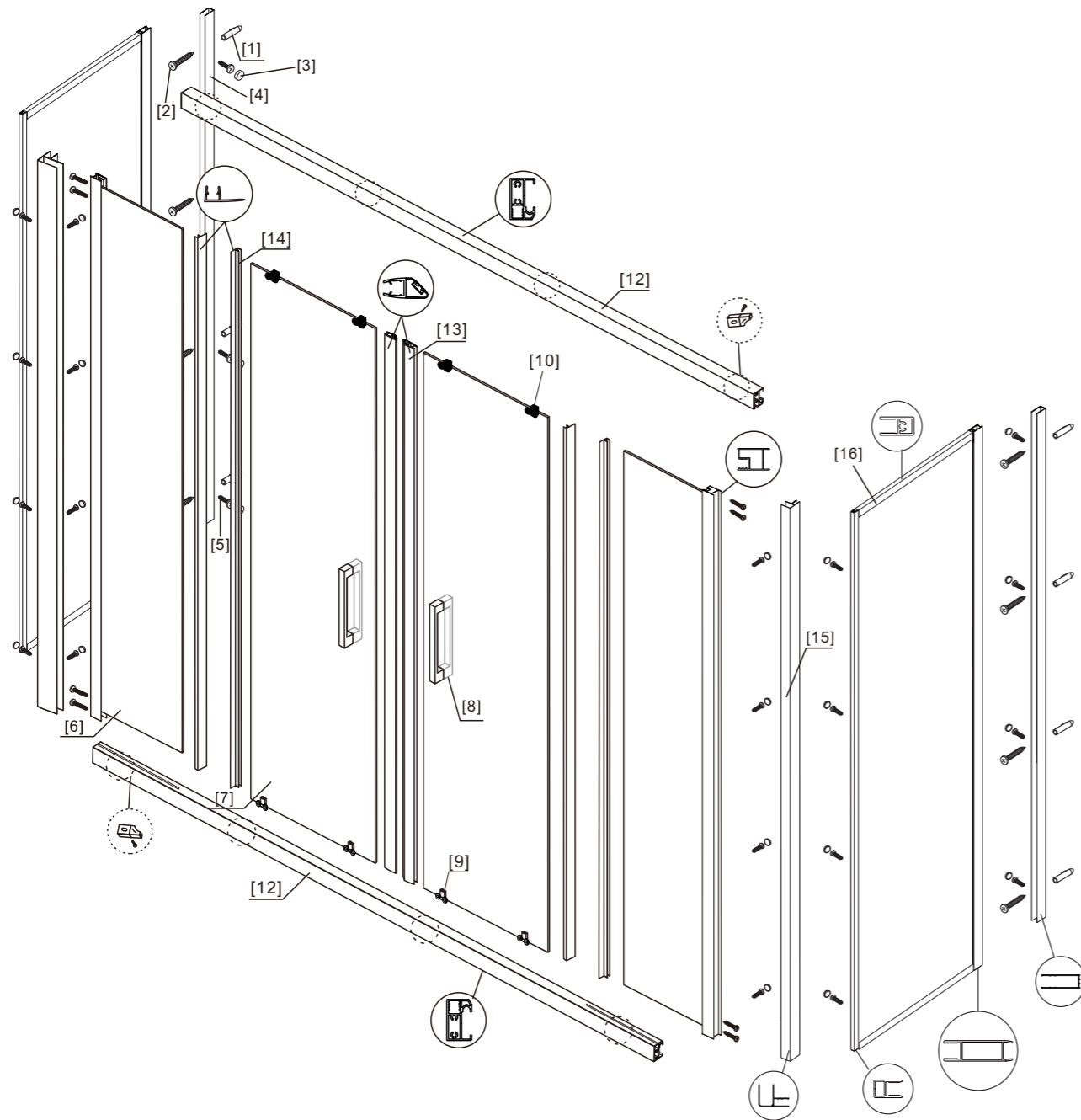
### ◆ Side Panel Box Contents(x2)

[1] 1xInstallation Instruction.	➔	
[2] 1xWall profile B.	➔	
[3] 1xCorner post.	➔	
[4] 8xScrews M4x8. 8xScrew Cover Caps.	➔	
[5] 1xSide Panel.	➔	

### ◆ Box Contents:

1xInstallation Instruction.	➔	
[1] 8xWall Plugs.	➔	
[2] 16xScrews M4x35.	➔	
[3] 16xScrew Cover Caps.	➔	
[4] 2xWall Posts.	➔	
[5] 16xScrews M4x8.	➔	
[6] 2xFixed Panels.	➔	
[7] 2xDoor Panels.	➔	
[8] 2xHandle Sets.	➔	
[9] 2x Horizontal Rails.	➔	
[10] 2xMagnetic Seals.	➔	
[11] 4xWater Deflectors.	➔	

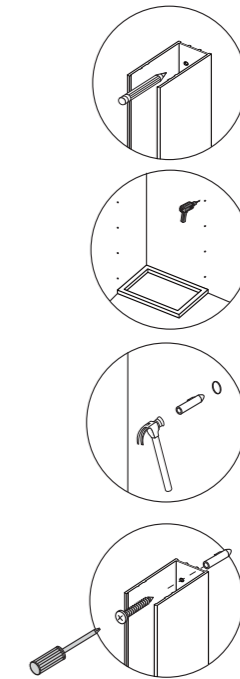
## ◆ Assembly Drawing



- |                          |                                |
|--------------------------|--------------------------------|
| [1] 8x Wall Plugs        | [9] 2x Bottom Rollers          |
| [2] 16x Screws M4x35     | [10] 2x Top Rollers            |
| [3] 24x Screw Cover Caps | [11] 1x Bottom Horizontal Rail |
| [4] 2x Wall Posts        | [12] 1x Horizontal Rail        |
| [5] 24x Screws M4x8      | [13] 2x Magnetic Seals         |
| [6] 2x Fixed Panels      | [14] 4x Water Deflectors       |
| [7] 2x Door Panels       | [15] 2x Corner Post            |
| [8] 2x Handle Set        | [16] 2x Side Panel             |

## ◆ Installation Steps

### Step 1



### Step 2

