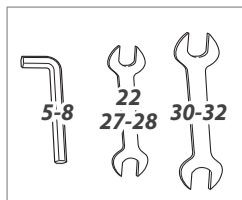




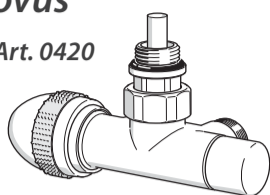
IE



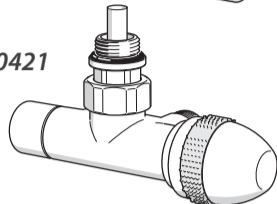
**Valvole monotubo/bitubo - Vertical connections monotube/bitube**

**ovus**

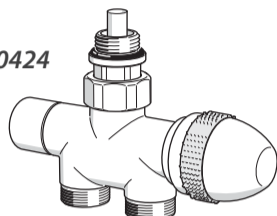
Art. 0420



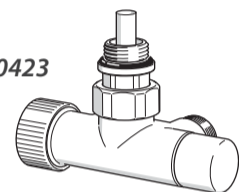
0421



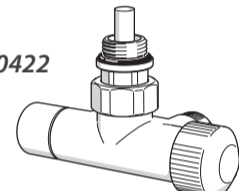
0424



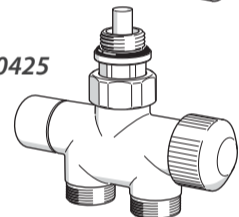
0423



0422

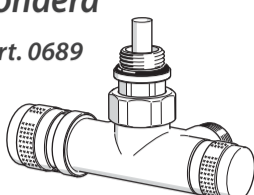


0425

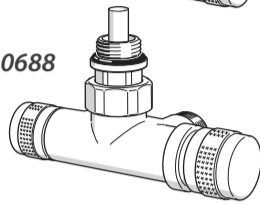


**tondera**

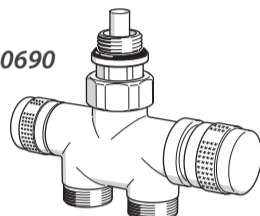
Art. 0689



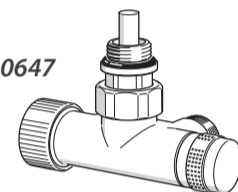
0688



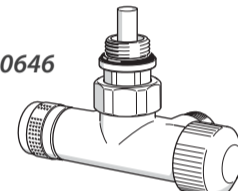
0690



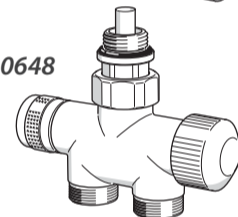
0647



0646

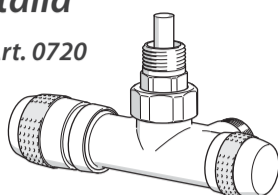


0648

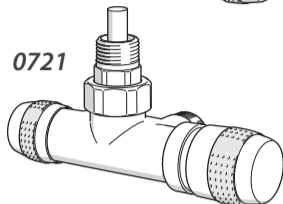


**italia**

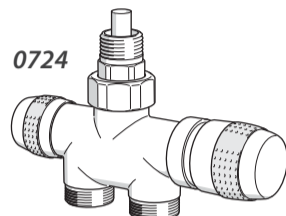
Art. 0720



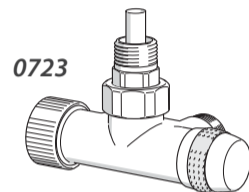
0721



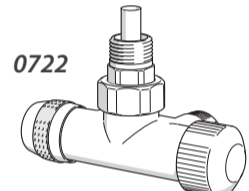
0724



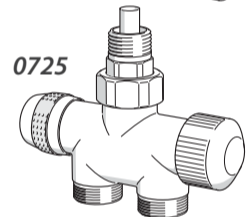
0723



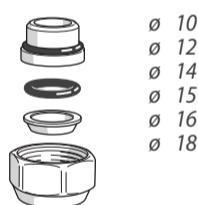
0722



0725



Art. 0281  
Art. 0481



- ∅ 10
- ∅ 12
- ∅ 14
- ∅ 15
- ∅ 16
- ∅ 18

Art. 0283 ∅ 7.5/8-12  
Art. 0483 ∅ 9.5/10-14



- ∅ 9.5/10-15
- ∅ 10.5/11-15
- ∅ 10.5/11-16
- ∅ 11.5/12-16
- ∅ 12.5/13-17
- ∅ 12.5/13-18
- ∅ 13.5/14-18
- ∅ 14.5/15-20
- ∅ 15/15.5-20
- ∅ 15.5/16-20

Art. E281



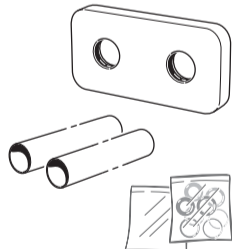
- ∅ 10
- ∅ 12
- ∅ 14
- ∅ 15
- ∅ 16
- ∅ 18

Art. E283 ∅ 7.5/8-12  
∅ 9.5/10-14



- ∅ 9.5/10-15
- ∅ 10.5/11-15
- ∅ 10.5/11-16
- ∅ 11.5/12-16
- ∅ 12.5/13-17
- ∅ 12.5/13-18
- ∅ 13.5/14-18
- ∅ 14.5/15-20
- ∅ 15/15.5-20
- ∅ 15.5/16-20

Art. 0493



Art. 0093



Art. 0025/1

L = 450 mm standard



L = 700 mm  
L = 1000 mm

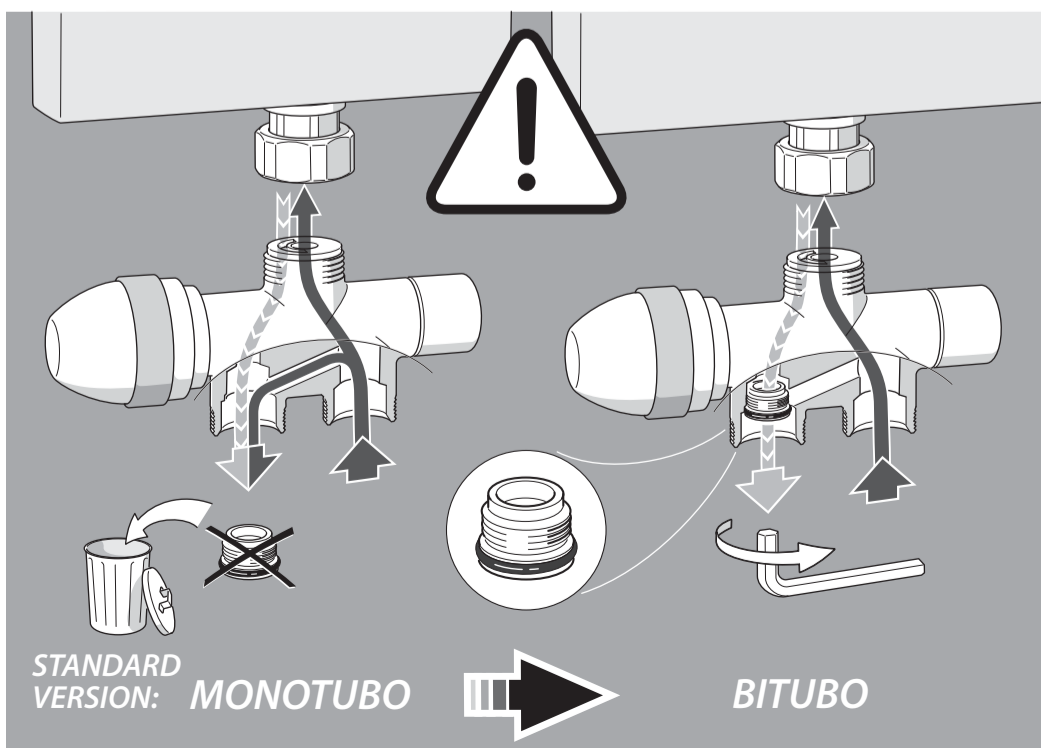
Optional

Art. 0471/1

Optional

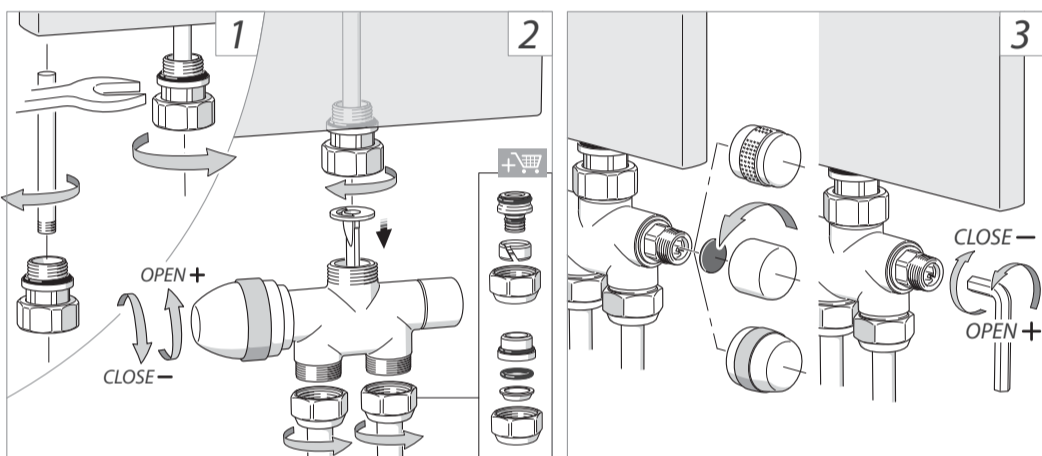
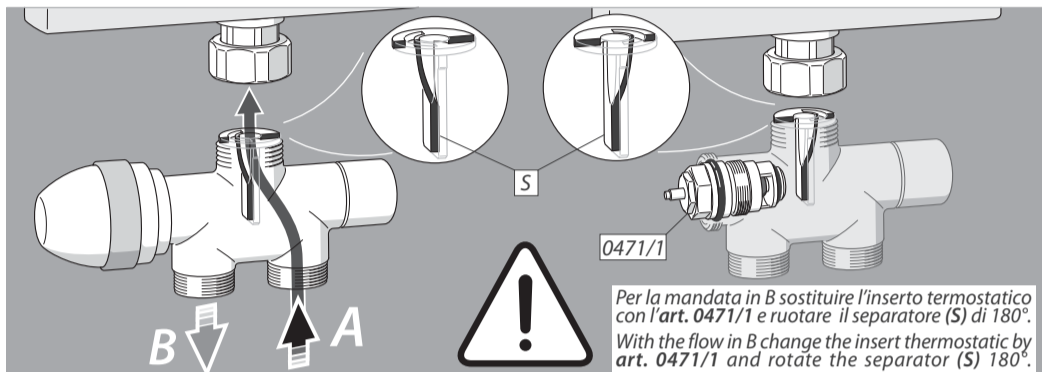
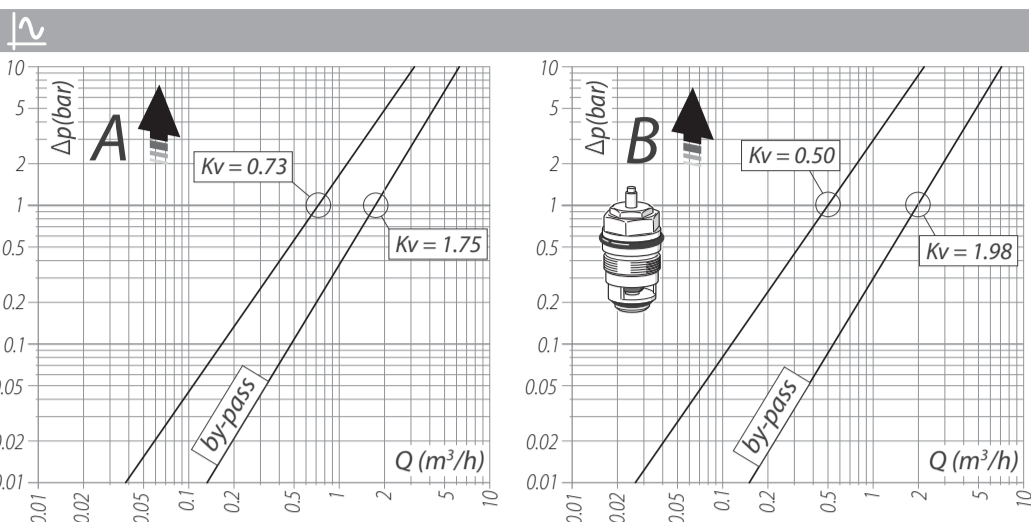


Solo per mandata in B  
Only with the flow in B





2 - 130°C (36-266°F)  
Max 10 bar (145 psi)



Art. 0093

