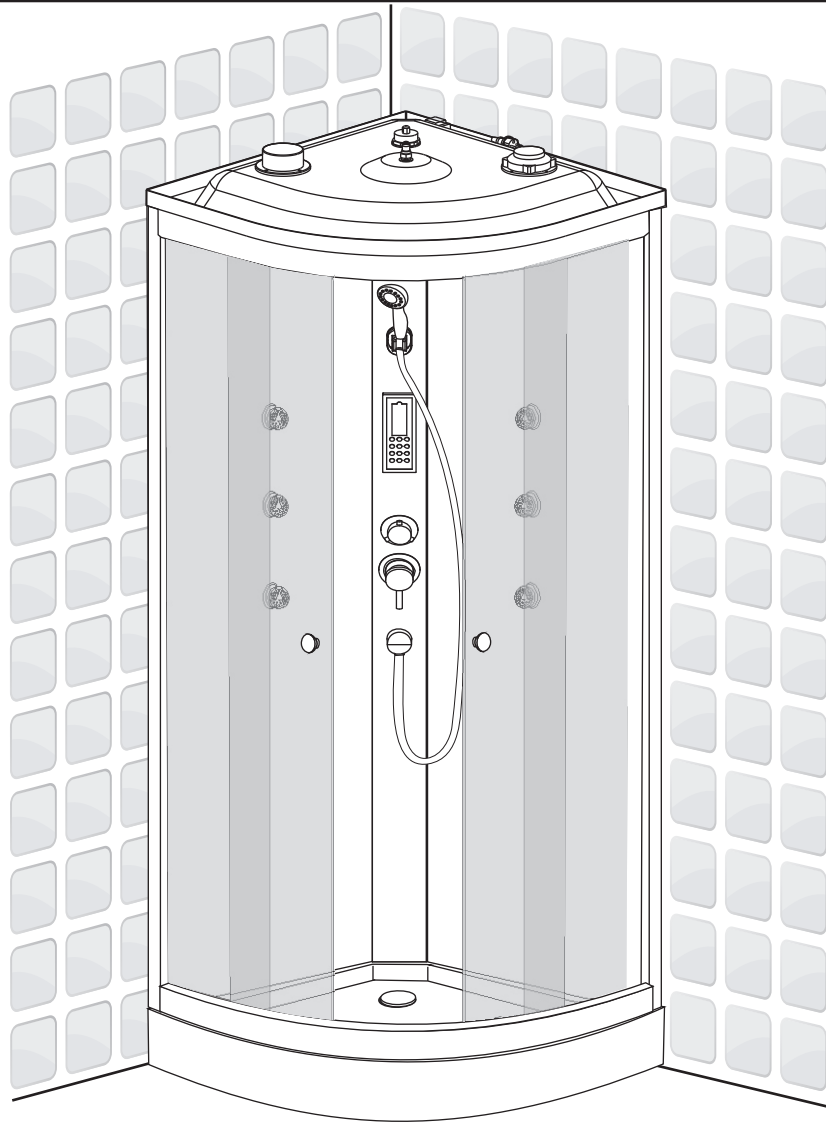


SAMOA ROUND 90 Multifunction Shower Cabin

K-1161
Reversible




900x900x2180mm

SAMOA LEFT OR RIGHT

C: Hot water

F: Cold water

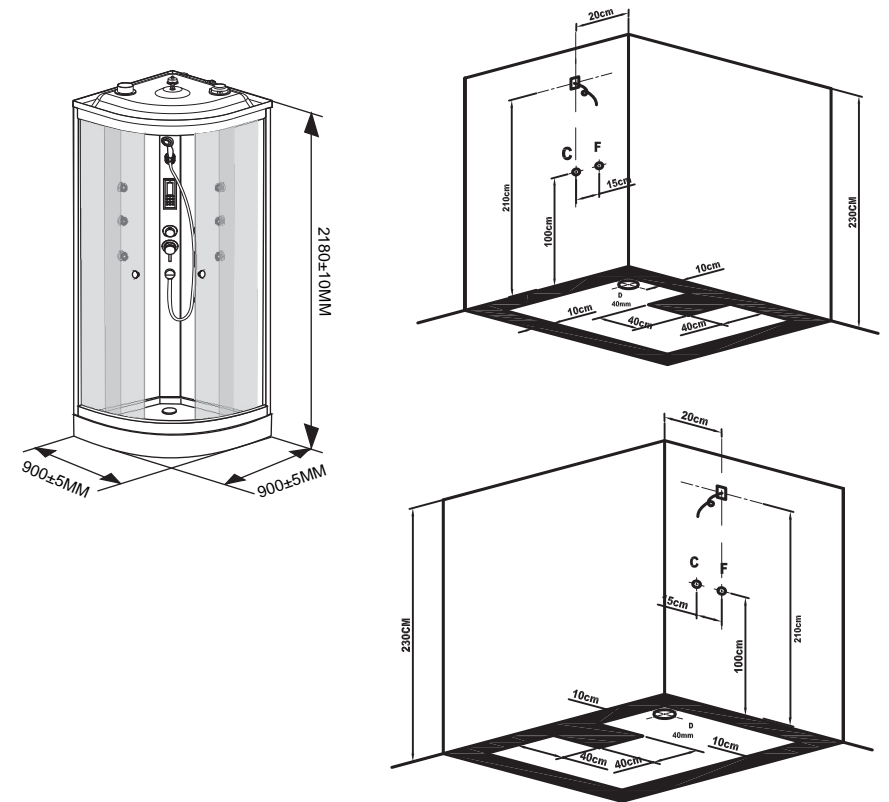
D: Drain point

 : electrical outlet

Minimum pressure: 3 BAR

Maximum pressure: 7 BAR

Tolerance: the distance can range from 3cm to 5cm



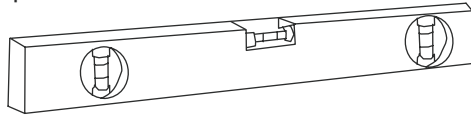
Drainer can not in the shadow area!

TOOLS REQUIRED (NOT SUPPLIED)

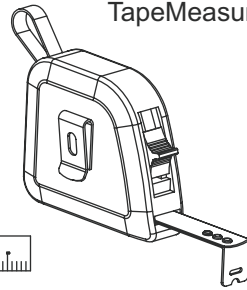
-When you're ready to start, make sure that you have the following tools to hand, plenty of space and a clean dry area for assembly.
Two people are needed. Please note: although these instructions are comprehensive, we always recommend that a technically competent installer should undertake installation.



Spirit Level



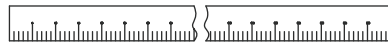
Tape Measure



Pencil



Ruler



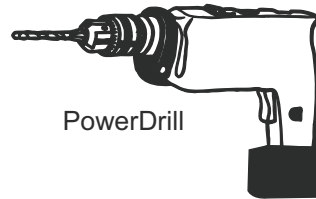
3mm Diameter Drill Bit



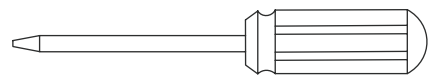
8mm Diameter Drill Bit



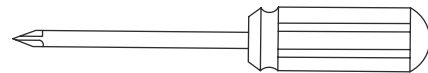
Cross-Head Driver Bit



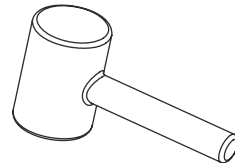
Power Drill



Magnetic Slot-head Screwdriver



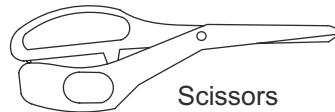
Magnetic Cross-head Screwdriver



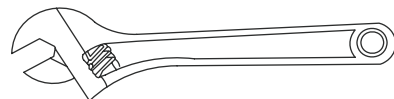
Rubber Hammer



Silicone Sealant



Scissors



Adjustable Spanner

BEFORE INSTALLATION & IMPORTANT SAFETY NOTES

-WARNING: Only allow children to use appliance without supervision when adequate instructions have been given so that the child is able to use the appliance in a safe way and understand the hazards of improper use.

-Ensure that the enclosure is fitted to a level floor and vertical wall surface.

Note: The wall fixings included with this product are suitable for solid wall only.

-Plaster board or stud walls may require specialist fixings (not supplied).

-Please handle all glasses with care, avoid knocks and shock loading to all sides and edges.

Safety glass cannot be reworked.

-Care should be taken when drilling into walls to avoid hidden pipes or electrical cables.

-Do not attach to surfaces that are damp, freshly painted or otherwise electrically conductive (e.g. metallic surfaces).

-If the supply cord is damaged, it must be replaced by the manufacturer or its service agent or a similarly qualified person in order to avoid a hazard.

-This appliance is not intended for use by persons (including children) with reduced physical, sensory or mental capabilities, or lack of experience and knowledge, unless they have been given supervision or instruction concerning use of the appliance by a person responsible for their safety.

Children should be supervised to ensure that they do not play with the appliance.

-Do not spray water directly to the fan.

Electrical installation

-IMPORTANT. Always switch off the electricity supply at the mains during installation and maintenance. We recommend that the fuse is withdrawn or circuit breaker switched off at the distribution board whilst work is in progress (turning off the light switch is not sufficient).

-This product must be installed by a competent person. If in doubt, consult a qualified electrician.

-The mains cables ("Live" & "Neutral") of the shower cabin must be connected to the junction box.

-Live supply to the terminal marked L (brown wire); Neutral supply to the terminal marked N (blue wire). Ensure connections are tight."

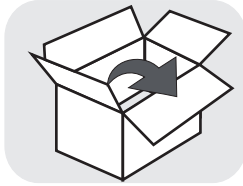
AFTERCARE INSTRUCTIONS

-Soap and water will be adequate to clean the glass. Glass cleaner can be used if required.

-In hard water districts, insoluble limesalts may be deposited on the glass.

If this deposit is allowed to build up, it becomes increasingly difficult to remove and looks unsightly. Regular cleaning will minimise this effect.

PART LIST



(A1)  x12
ST4x10

(A2)  x4
ST4x12

(A4)  x22
ST4x16

(B1)  x10
M4x25

(C1)  x2

(C2)  x2
ST5x50

(D1)  x2

(E1)  x2

(F1)  x4

(F2)  x4

(F3)  x4

(K1)  x1

(L1)  x1

(L2)  x1

(M2)  x1

(N1)  x4

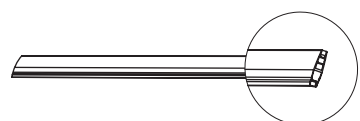
(N2)  x4

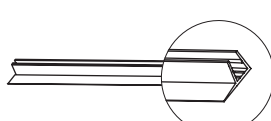
(R1)  x10

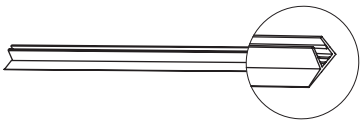
(R2)  x4

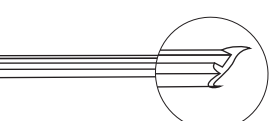
(R3)  x2

(S)  x4

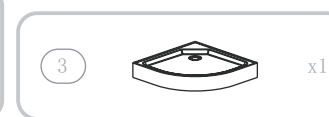
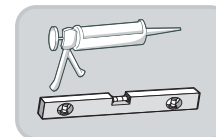
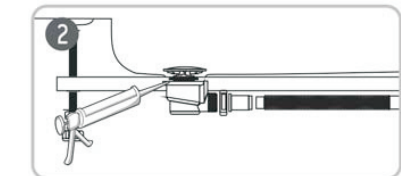
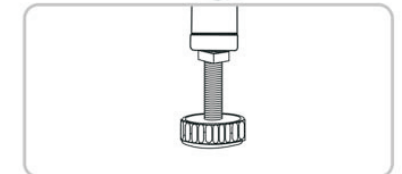
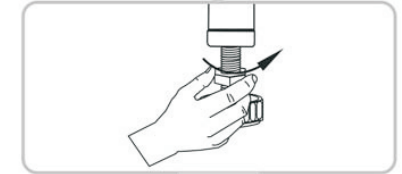
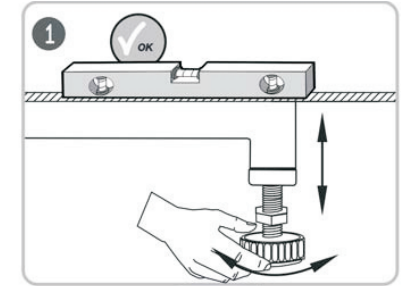
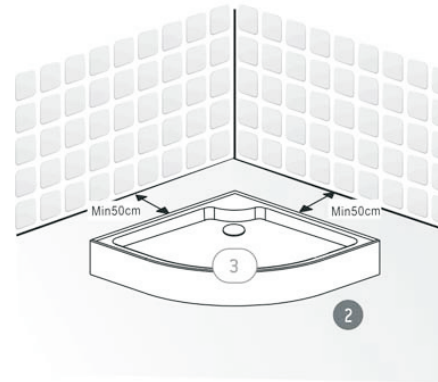
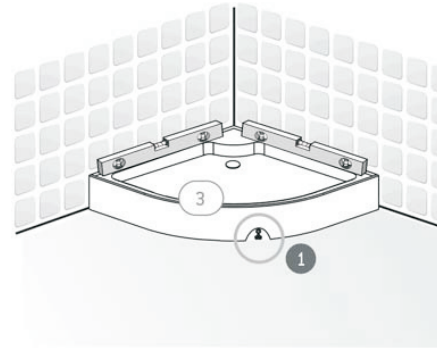
(I1)  x2

(J1)  x2

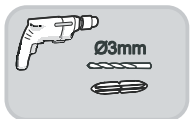
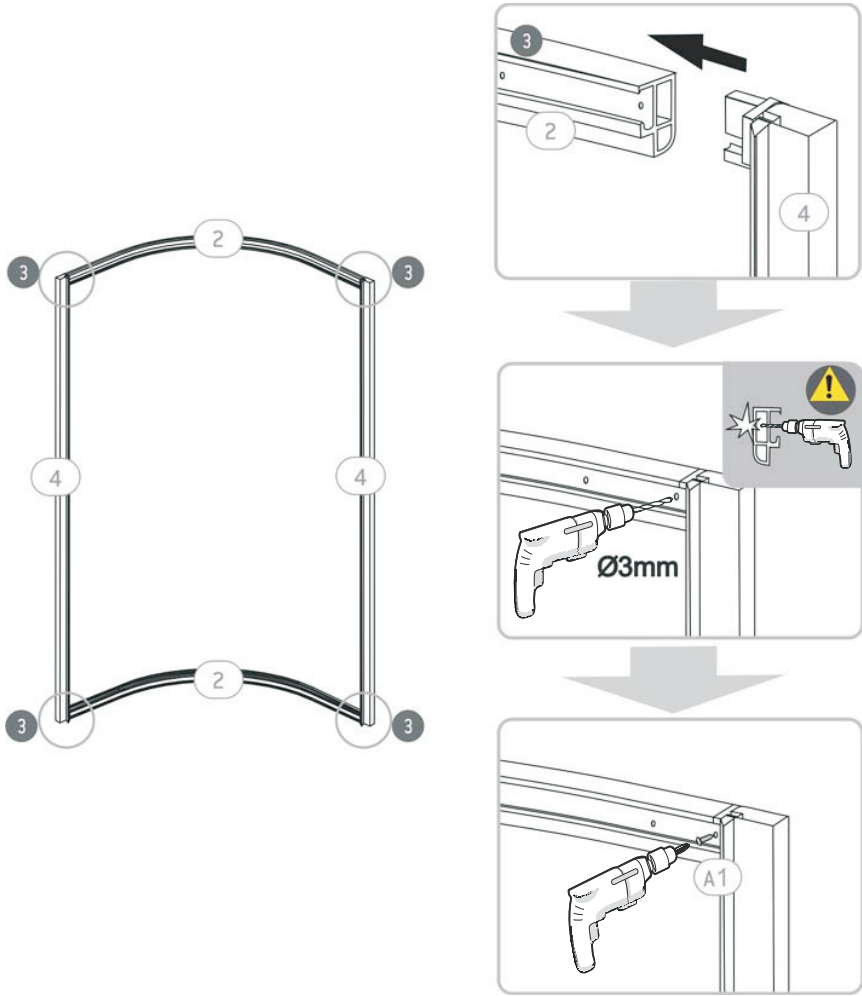
(J2)  x2

(J3)  x2

Installation



Installation



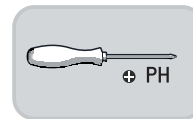
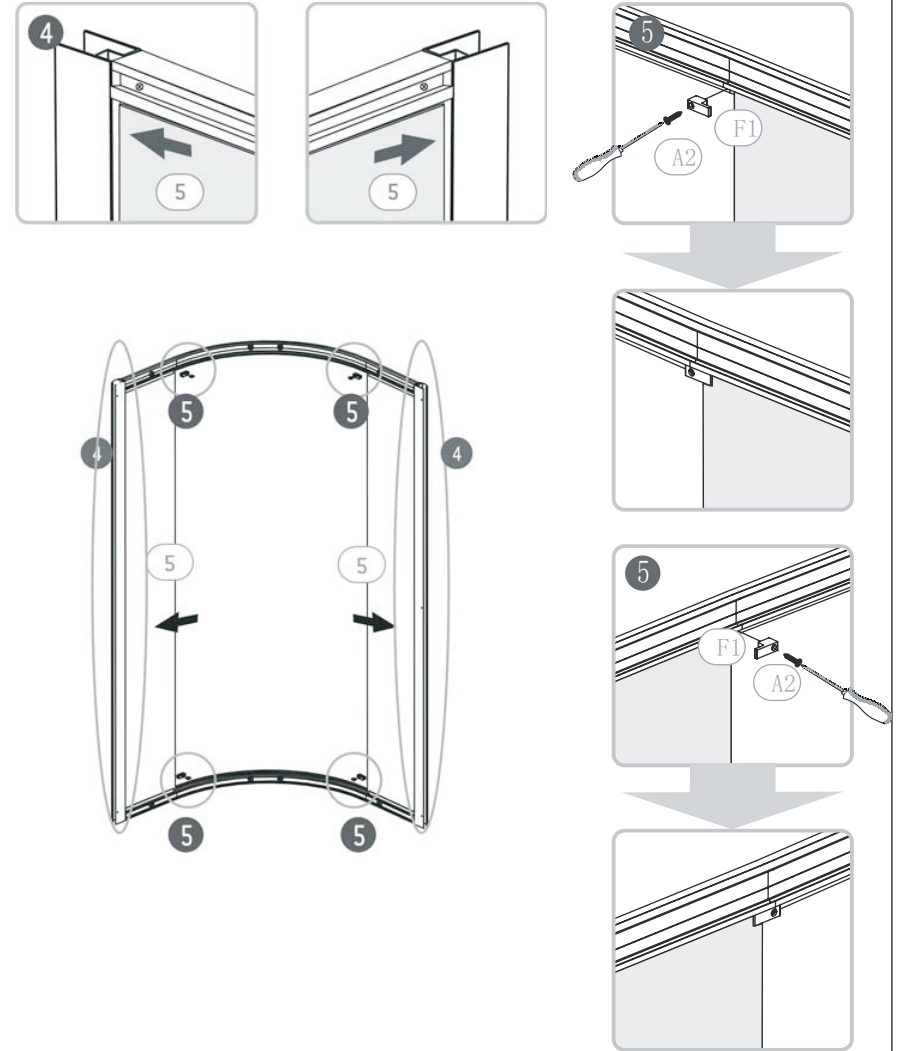
(A1)  x4
ST4x10

(2)  x2

(4)  x2

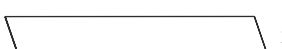
5

Installation



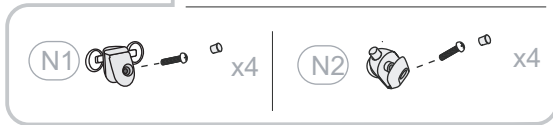
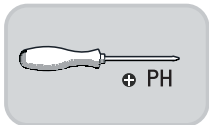
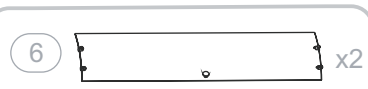
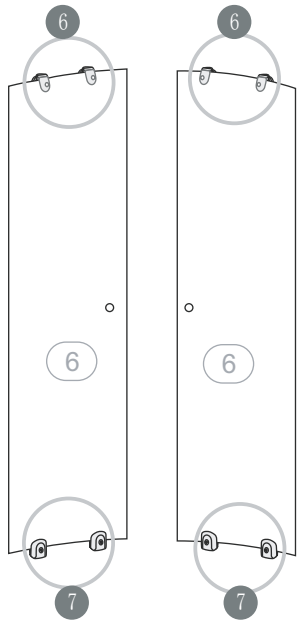
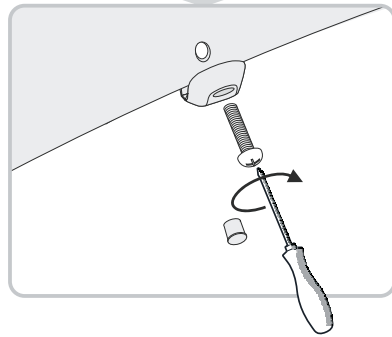
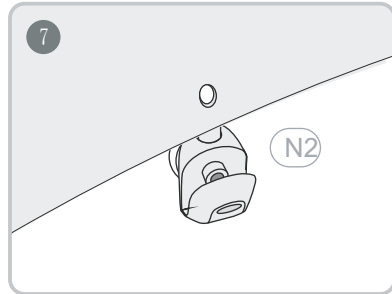
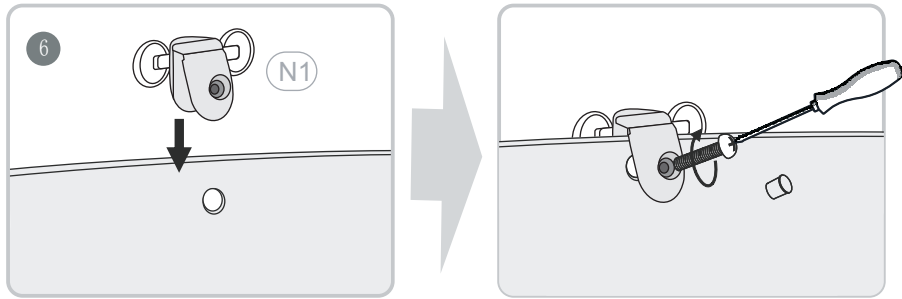
(F1)  x4

(A2)  x4
ST4X12

(5)  x2

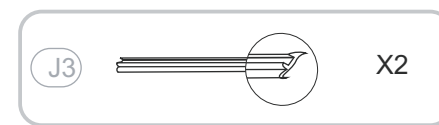
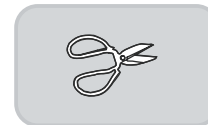
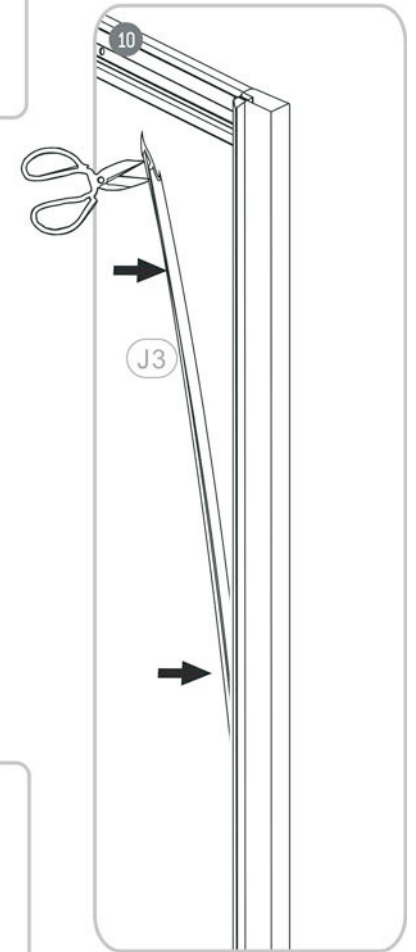
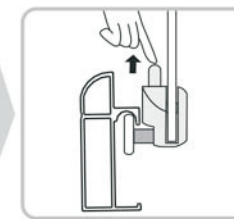
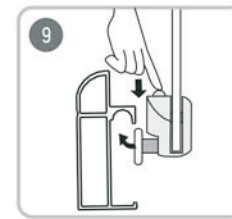
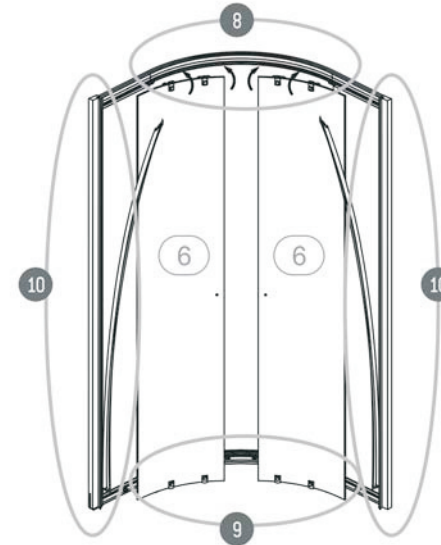
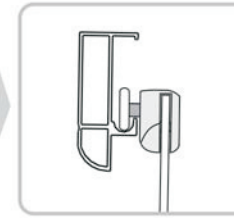
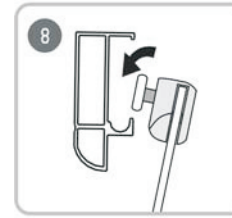
6

Installation



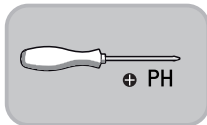
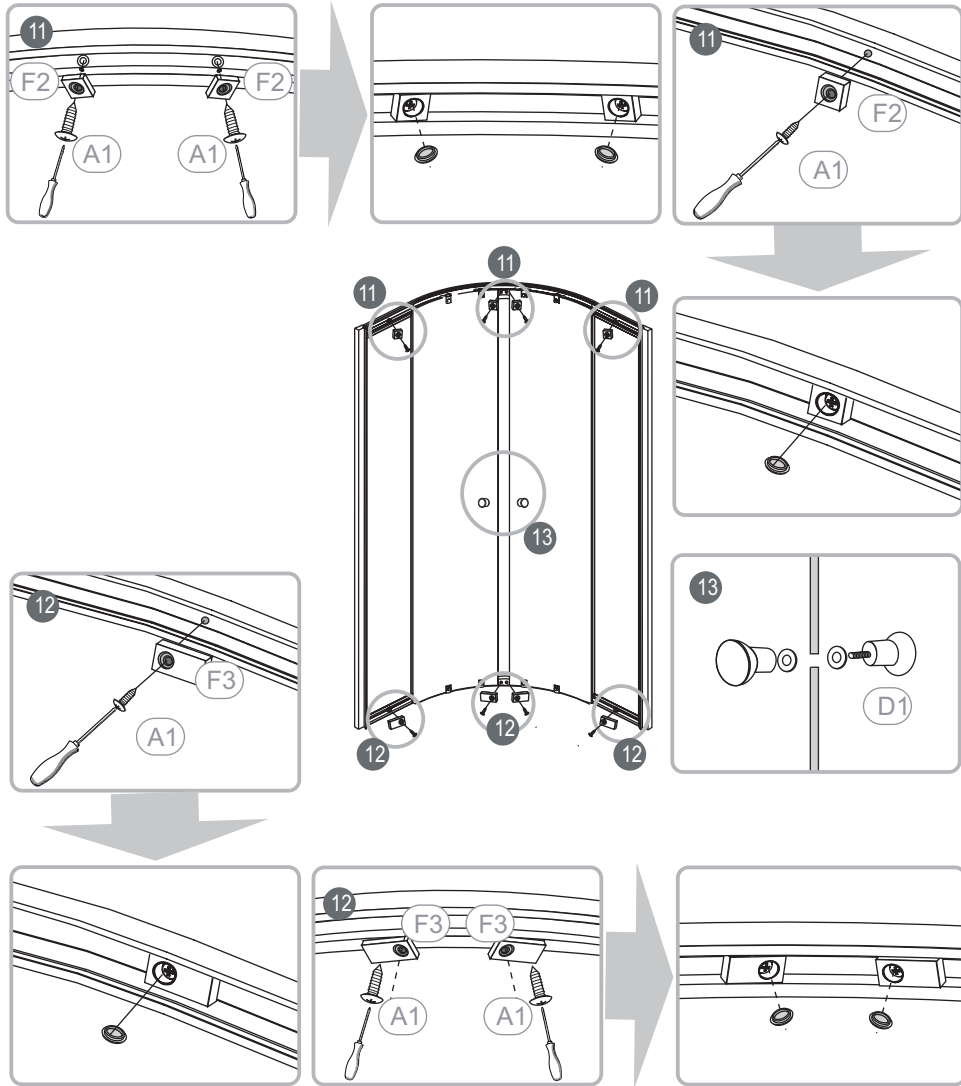
7




Installation



8

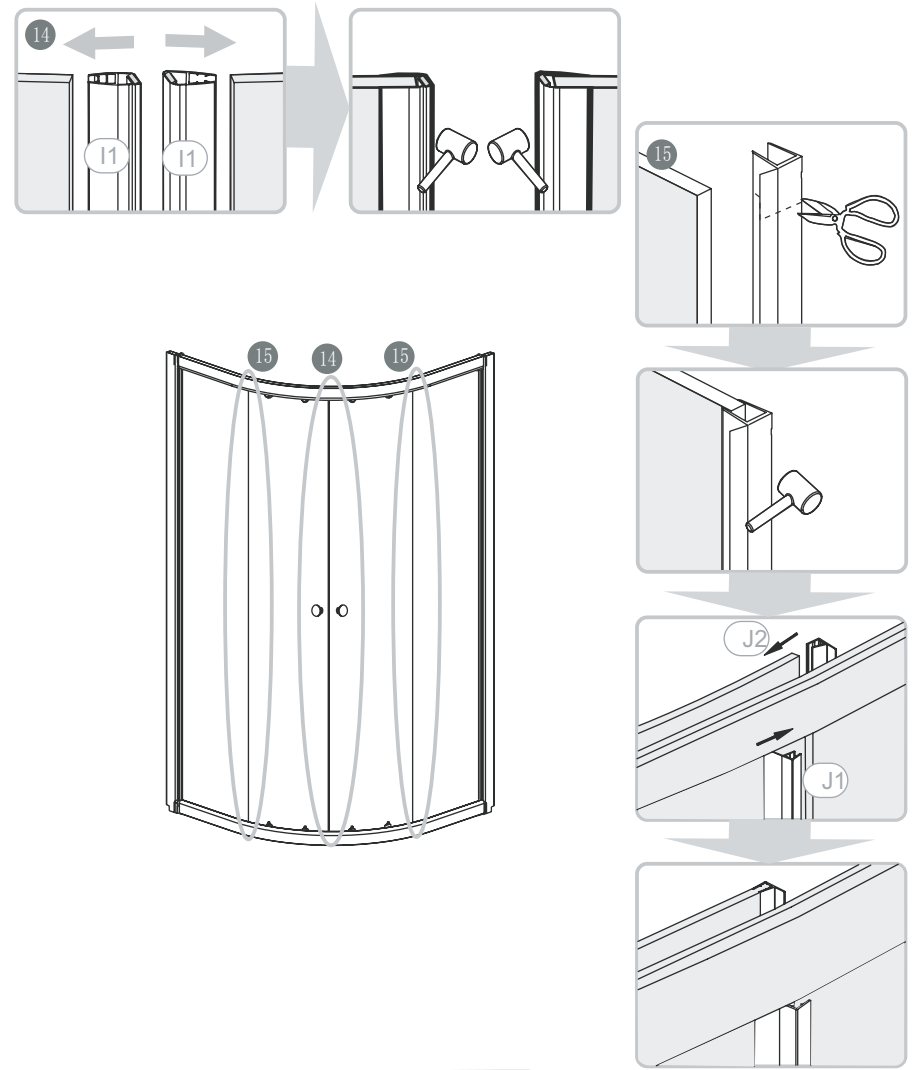
Installation






F2		x4	F3		x4
D1		x2	A1		x8

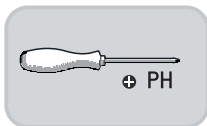
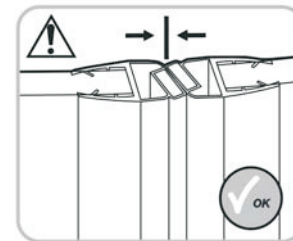
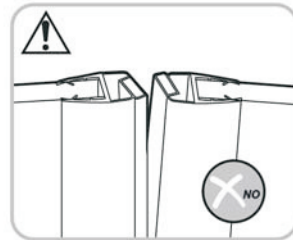
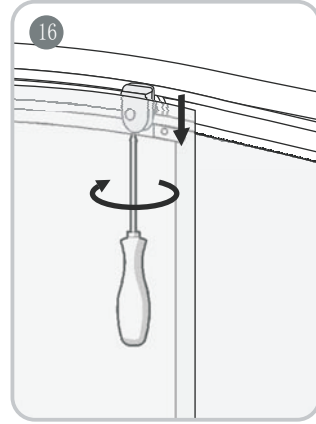
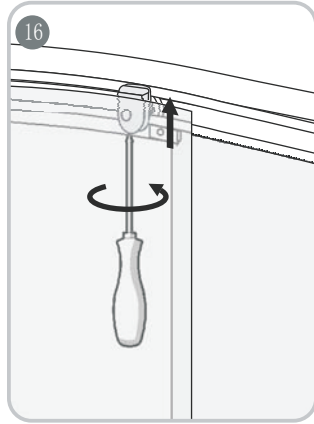
ST4X10

Installation

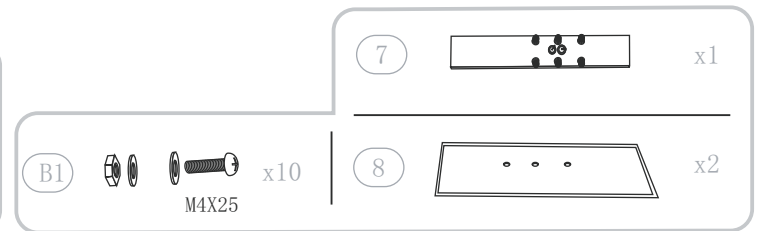
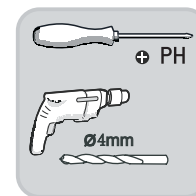
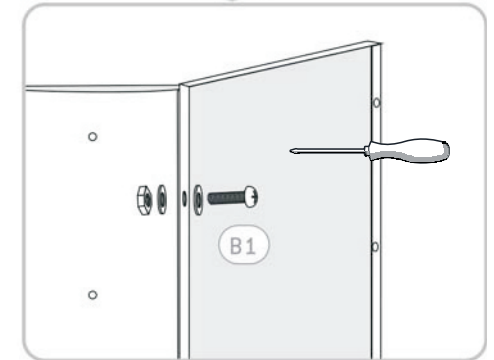
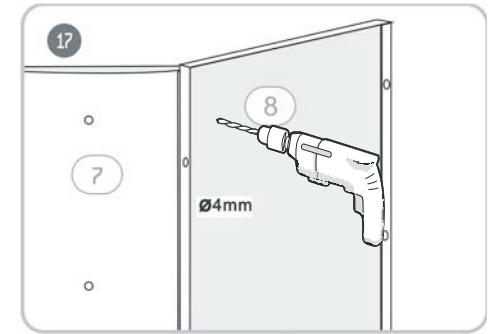
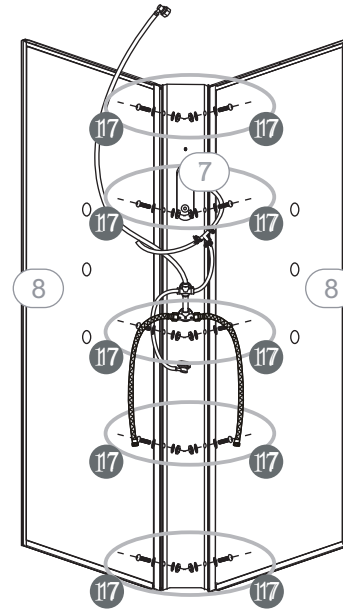


I1		x2
J1		x2
J2		x2

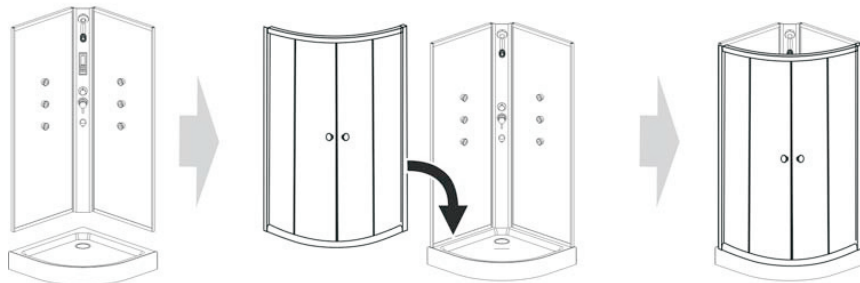
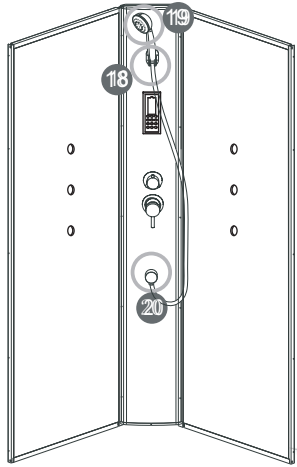
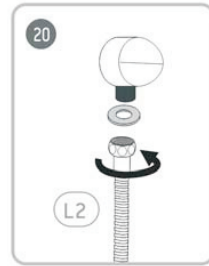
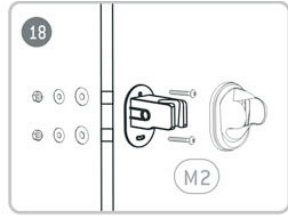
Installation



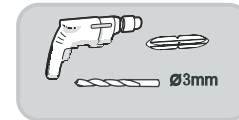
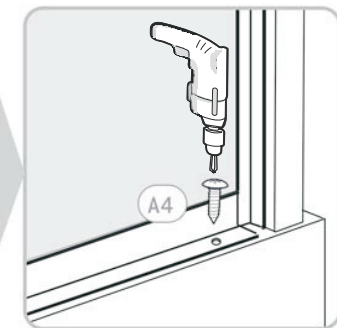
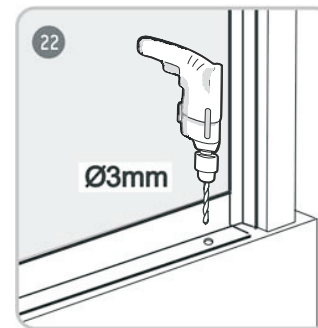
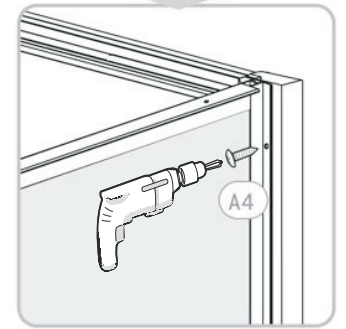
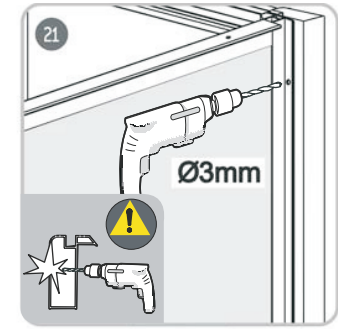
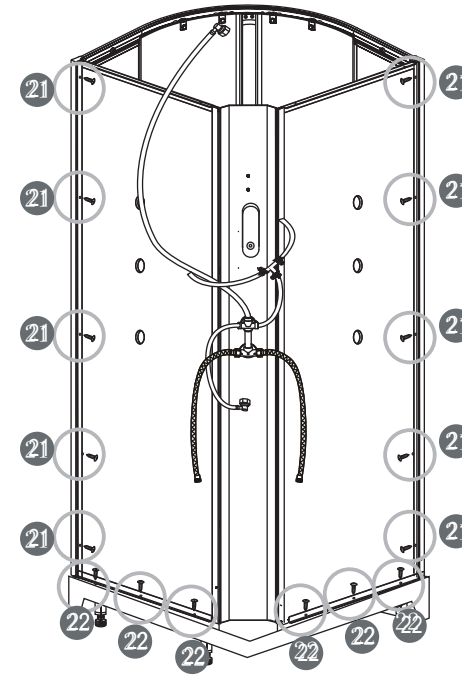
Installation



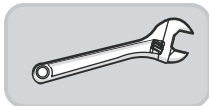
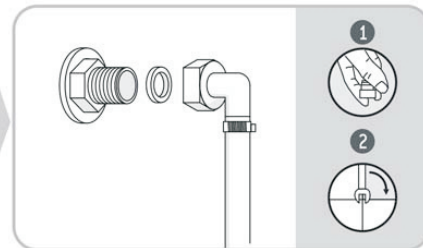
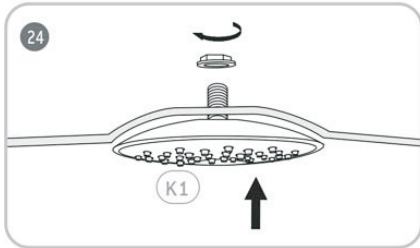
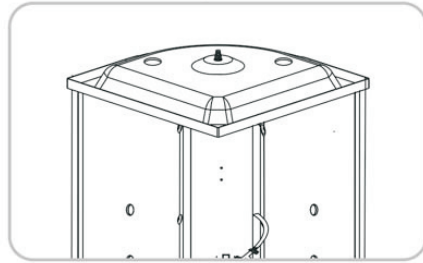
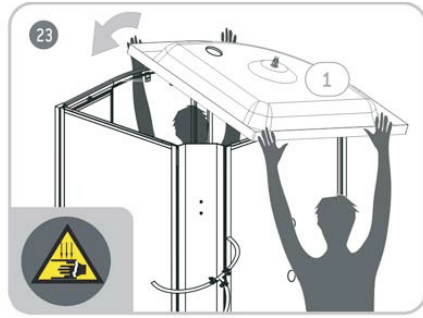
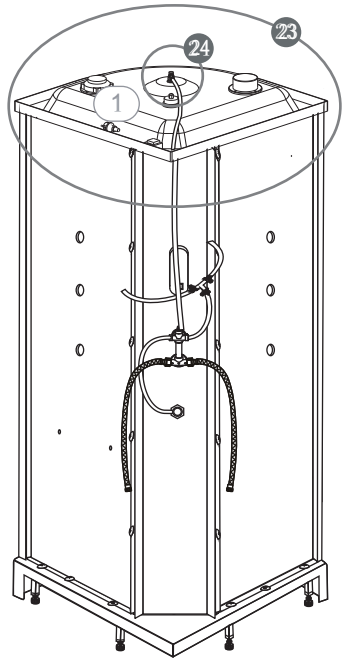
Installation



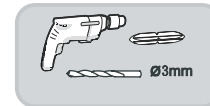
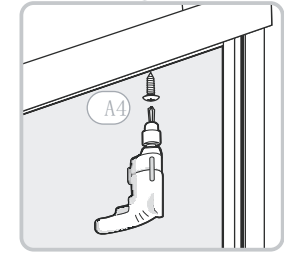
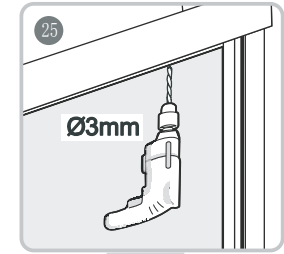
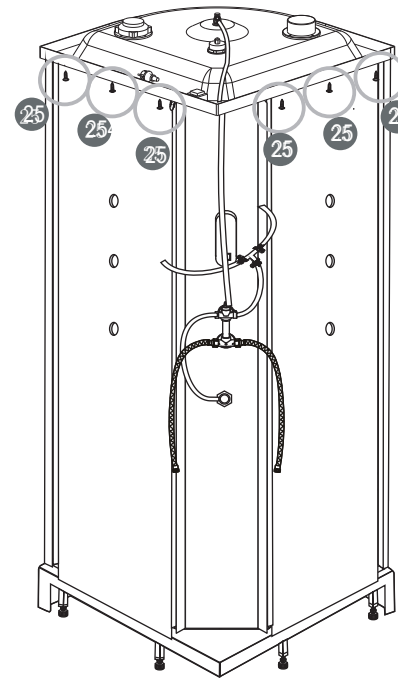
Installation



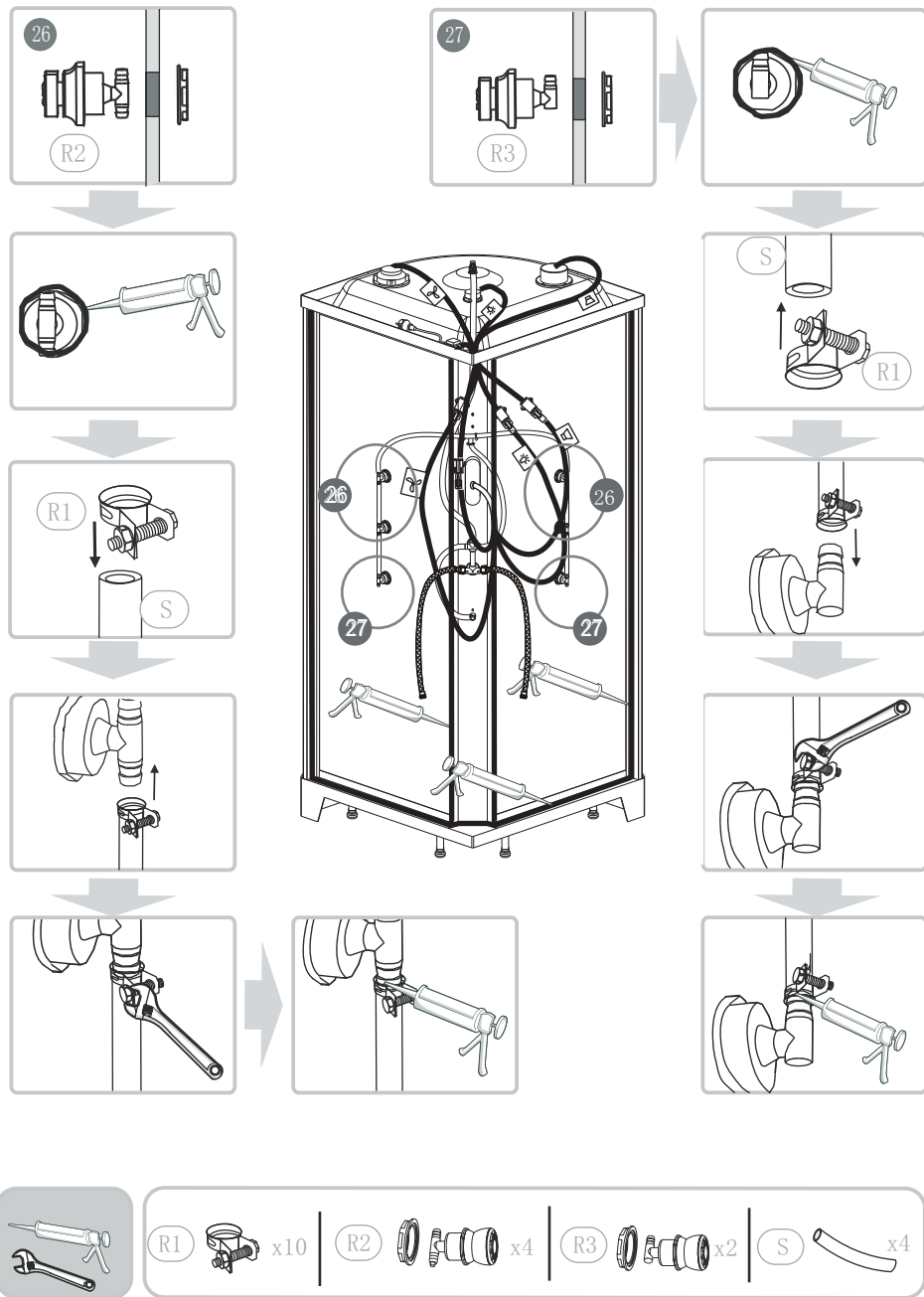
Installation



Installation



Installation



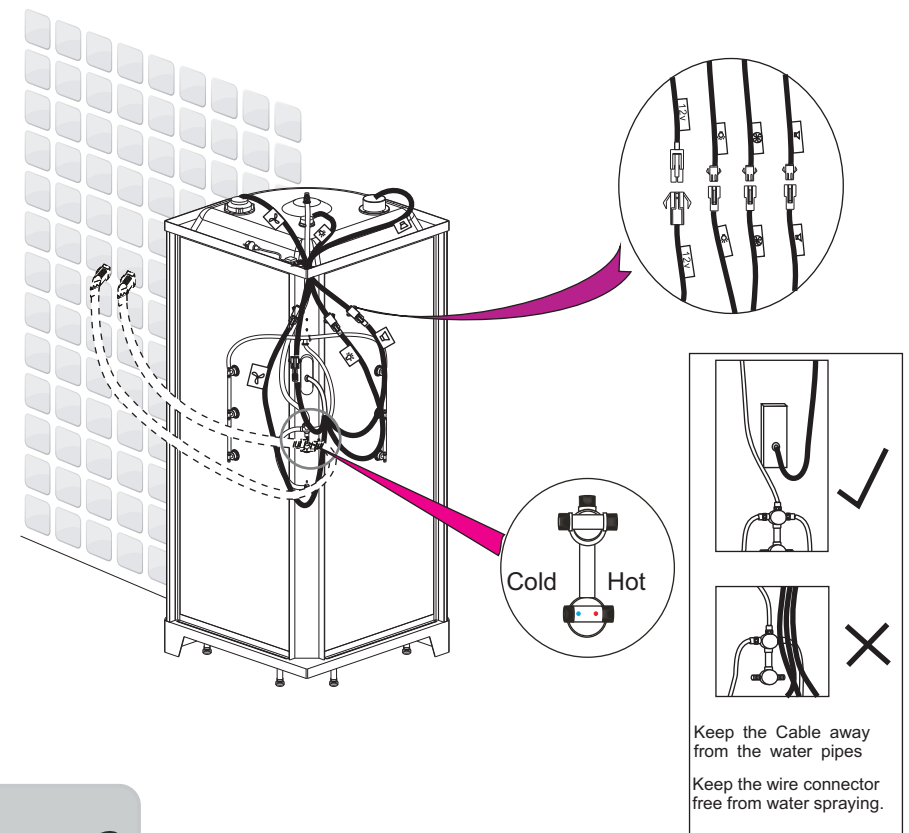
Installazione

-Maximum hot water temperature: 75°C
 Minimum recommended hot water temperature: 60°C
 Maximum cold water temperature: 20°C
 Minimum operating water pressure: 1 Bar
 Maximum operating water pressure: 5 Bar
 Rate of flow (rain shower/massage jets/handheld shower)
 on max. operating pressure: ~12 l/min

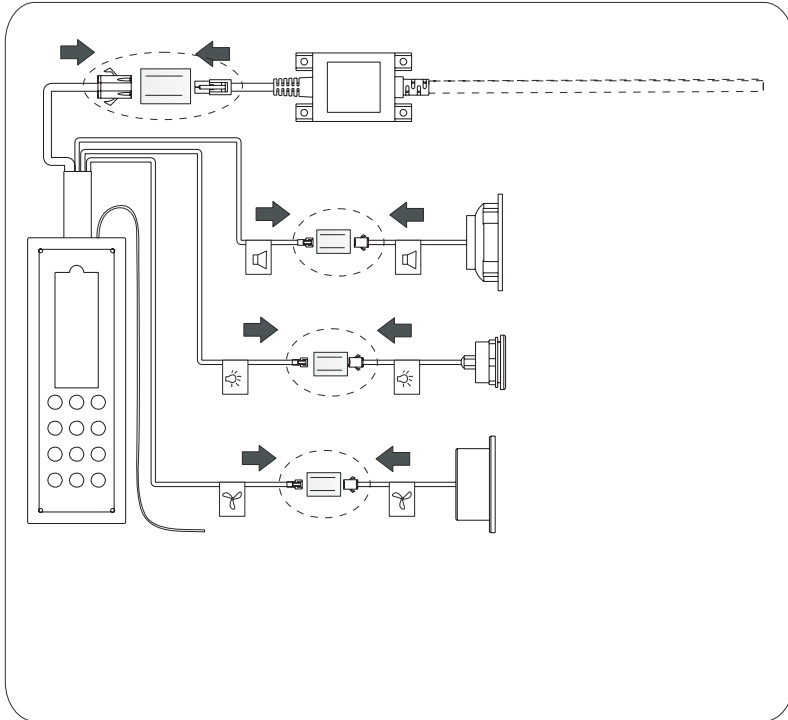
For optimum performance, the cold and hot water supplies should be at equal pressure.

Where the supply is greater than 5 Bar, a pressure reducing valve shall be fitted.

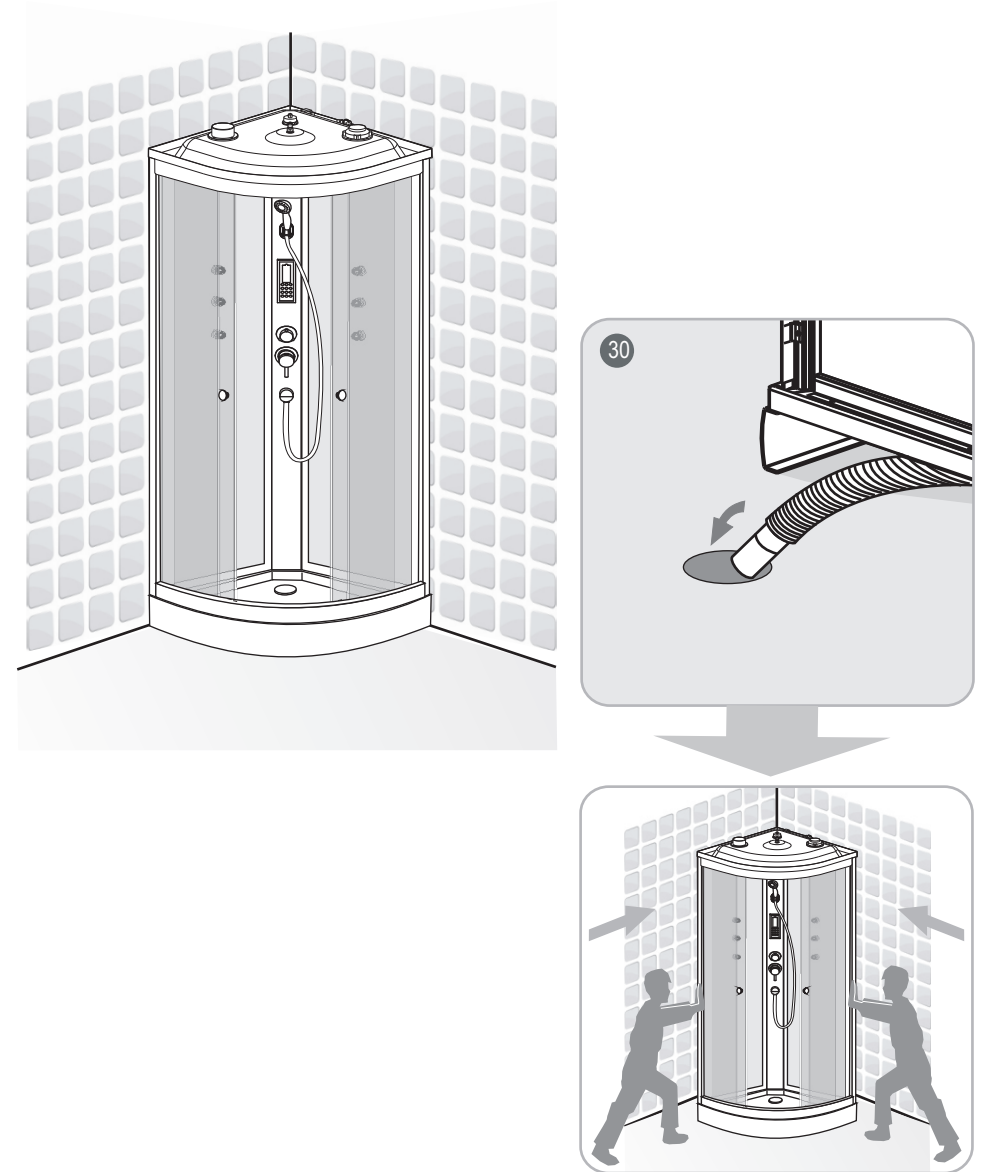
Ensure that the water temperature and the pressure at the inlet of the mixer body
 Remain relatively constant during use.



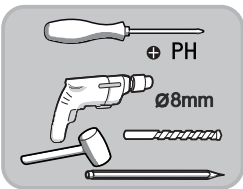
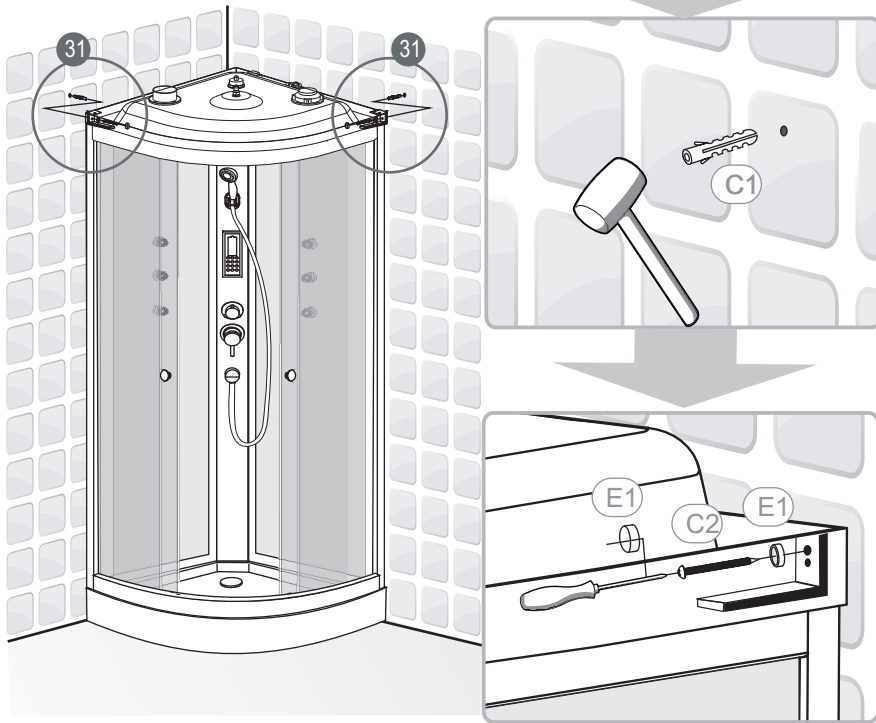
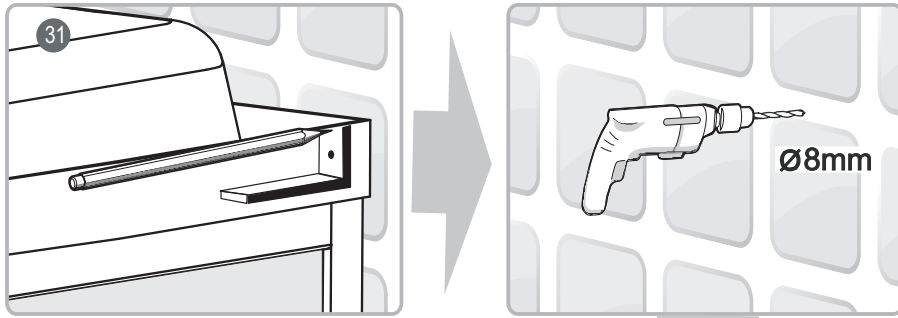
Installation



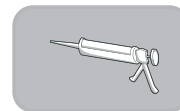
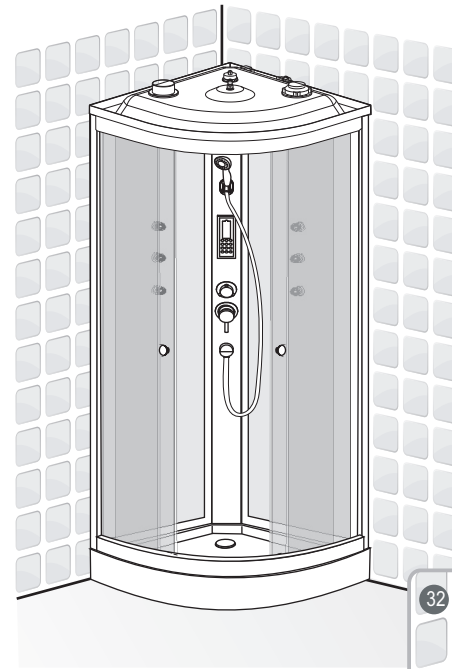
Installation



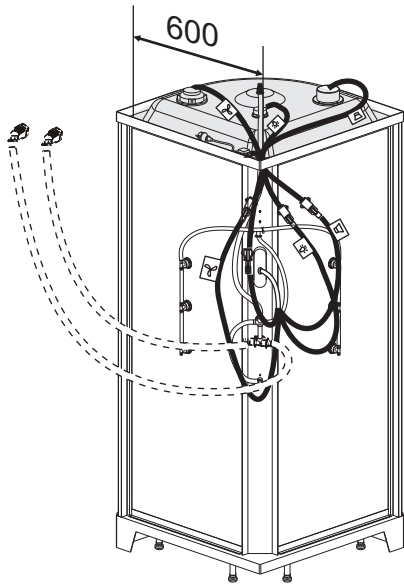
Installation



Installation



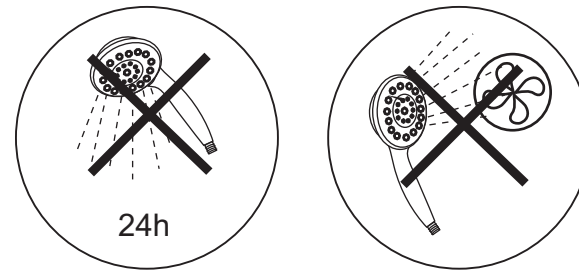
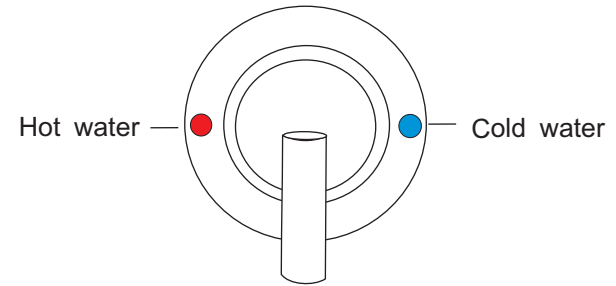
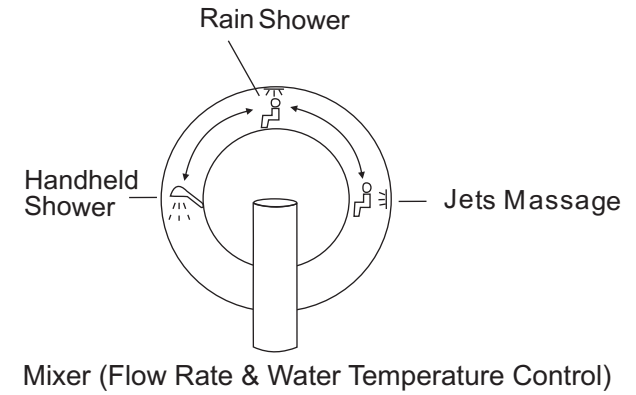
Installation



Notice:

After installation, do not touch the area we showed it in grey colour except professional electrician

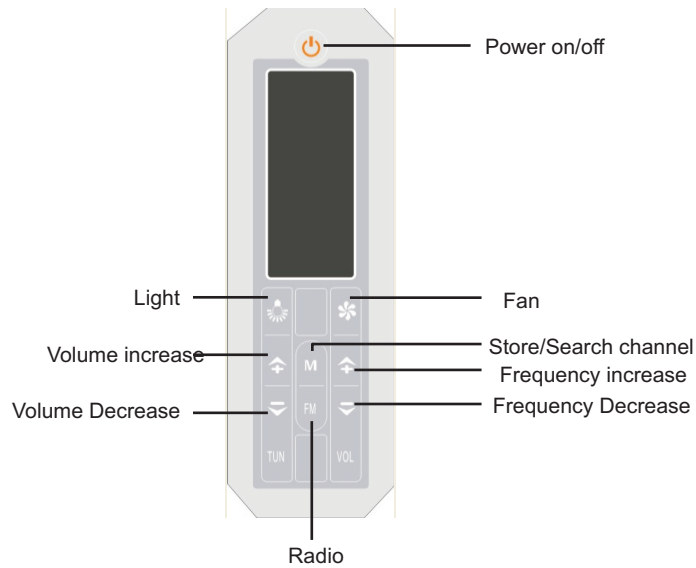
Installation





Do not use the cabinet for at least 24 hours in order to allow silicone to dry fully.

Installation



Keyboard Diagram:



1. Power On/Off:


Press “” button, the system starts, ceiling light is on, and system is standby, other functions being open; Press “” button again, the system is off.

2. Fan Function:

When system is on, press “” button, the fan works, the fan sign will flash; Press “” button again to turn off the fan.




3. Light Function:

Installation



When system is on, the ceiling light is on; press “” button to turn it off. When light is working, the corresponding light sign will flash on the LCD.


4. FM Digital Radio:


On/Off: When system is on, press  button to enter into radio mode.

Tune: When radio is on press  button to enter into tune setting mode, press ,  to adjust the frequency, LCD will display present frequency (87.5—108MHz) .



Volume Adjustment: When radio is on, press  button to enter volume adjustment mode, press ,  to adjust volume, LCD will display present volume (0-10).

Read Channels: when radio is on, without any setting, press ,  to read stored the channels(0-15).

Store Channels: Press  button , which store the present frequency to the present channel position.

Auto Search & Store channels: Long press on  for 2 seconds, system enter into auto search channel mode, the frequency scans from 87.5MHz to 108MHz, and store the received channels on the position from 0-15.

5. Lock/Unlock Function:

When system is standby, long press  for 1.5 second, the keyboard will be locked, press  button again for 1.5 second to unlock the keyboard .If without any pressing on the

SEMPLIFIED EU DECLARATION OF CONFORMITY

Hereby, BayKer Italia Spa declares that the radio equipment type K-1161 SAMOA Shower Cabin is in compliance with Directive 2014/53/EU.

The full text of the EU declaration of conformity is available at the following internet address:

www.iperceramica.it



INFORMATION FOR USERS

This product bears the selective sorting symbol for waste electrical and electronic equipment (WEEE). This means that this product must be handled to the local collecting points or given back to retailer when you buy a new product, in a ratio of one to one pursuant to European Directive 2012/19/EU in order to be recycled or dismantled to minimize its impact on the environment. Very small WEEE (no external dimension more than 25 cm) can be delivered to retailers free of charge to end-users and with no obligation to buy EEE of an equivalent type.

For further information, please contact your local or regional authorities. Electronic products not included in the selective sorting process are potentially dangerous for the environment and human health due to the presence of hazardous substances. The unlawful disposal of the product carries a fine according to the legislation currently in force.

IPER  **CERAMICA**
wellness

This product has been imported by
BayKer Italia S.p.A
Via Pedemontana 13,
41042 - Fiorano Modenese (MO) Italy
MADE IN P.R.C.