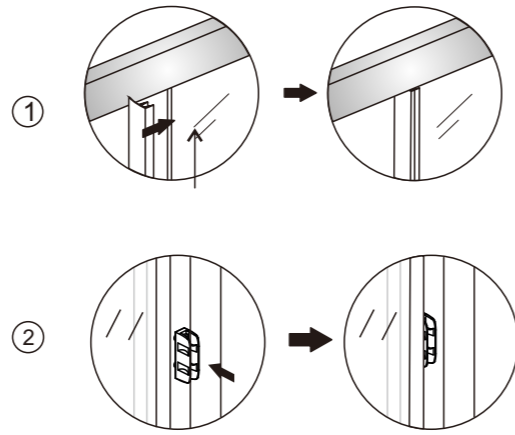
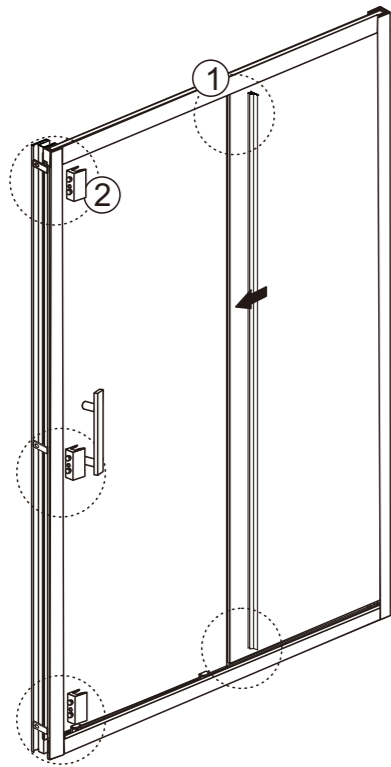
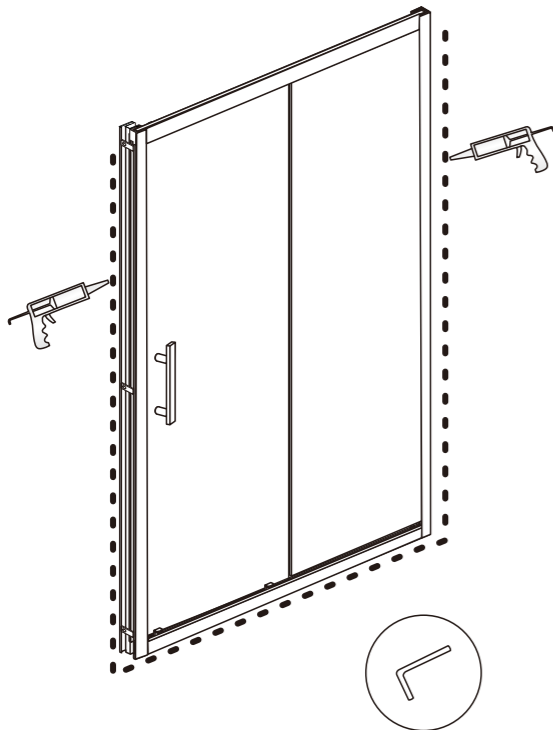


### Step 7

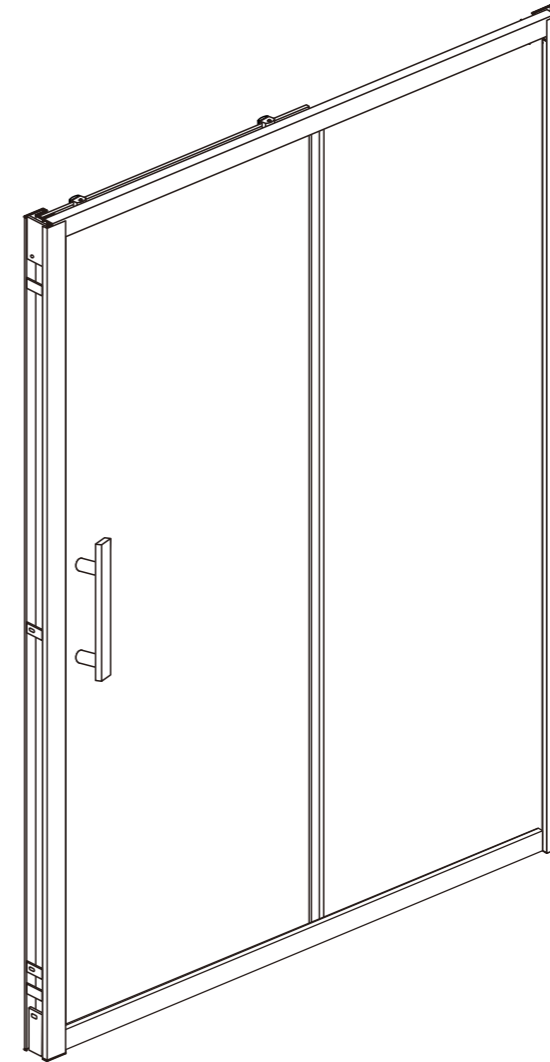


### Step 8



Allow 24 hours for silicone to dry before use.

## ZEUS Stainless steel sliding door



**IPERCERAMICA**  
wellness

This product has been imported by:  
BayKer Italia S.p.A. - via Ghiarola Nuova, 85/87-41042 Fiorano Modenese (Modena)-ITALY

## ◆ General Information

Please inspect the product immediately upon receipt for transit damage, missing packs/parts or manufacturing fault. Damage reported later cannot be accepted. Please handle the product with care avoiding knocks and shock loading to all sides and edges of the glass.

### Notes: Safety glass can not be re-worked.

Please read these instructions carefully before start of installation.

Special care should be taken when drilling walls to avoid hidden pipes or electrical cables.

Note: This product is heavy and may require two people to install.

### Aftercare instructions

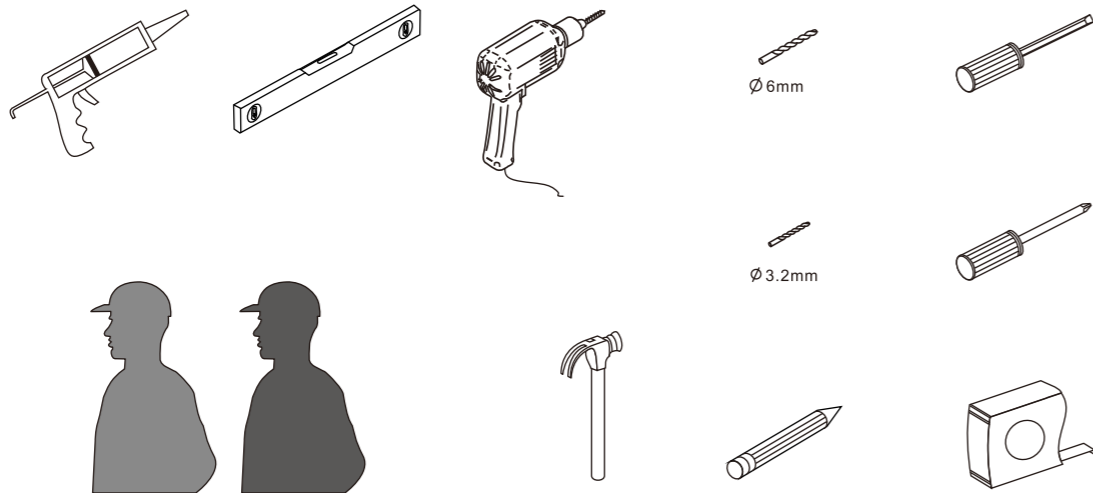
After use, your shower should be cleaned with soap and water. This is particularly important in hard water districts where insoluble lime salts may be deposited and allowed to build up.

Cleaners of a gritty or abrasive nature should not be used. Care should be taken to avoid contact with strong chemicals such as organic solvents and strippers.

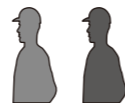
Glass cleaners can be used but with caution, if in doubt contact the manufacturer of the cleaner in question.

Please keep these instructions for aftercare and customer service details.

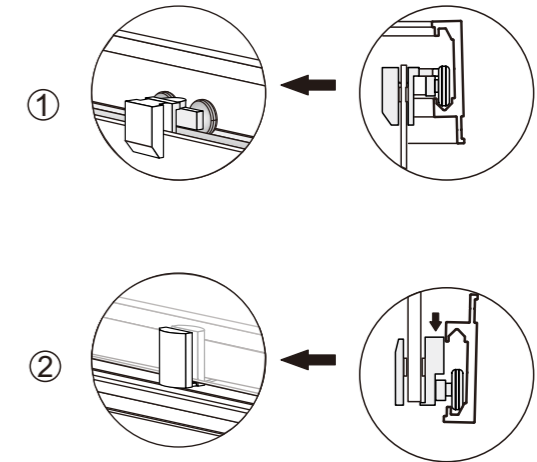
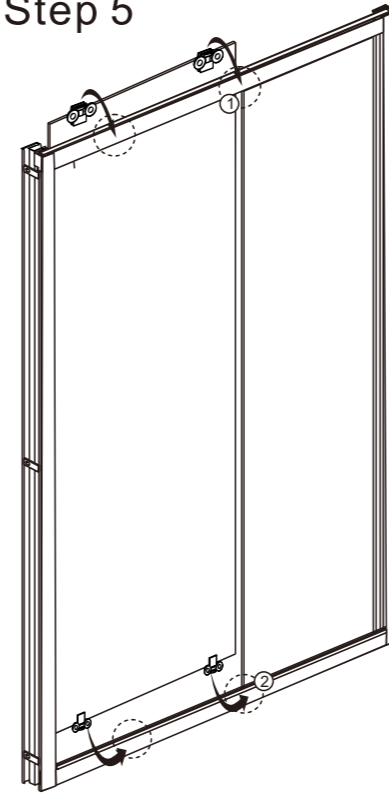
### Tools Required



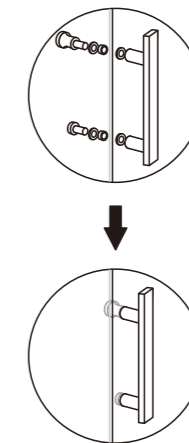
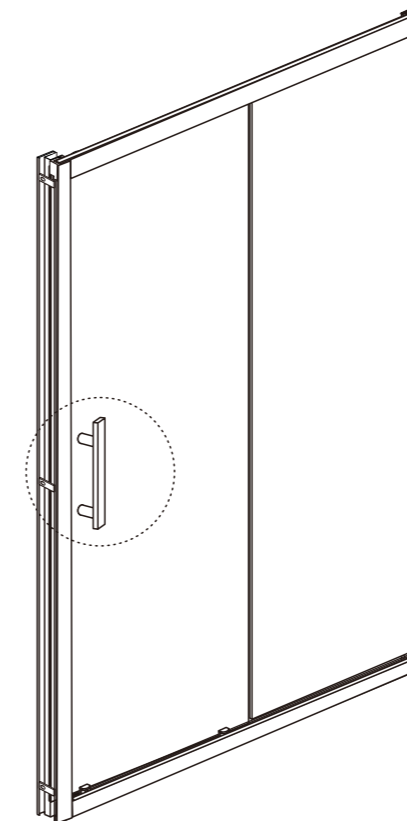
This product is heavy and may require two people to install.



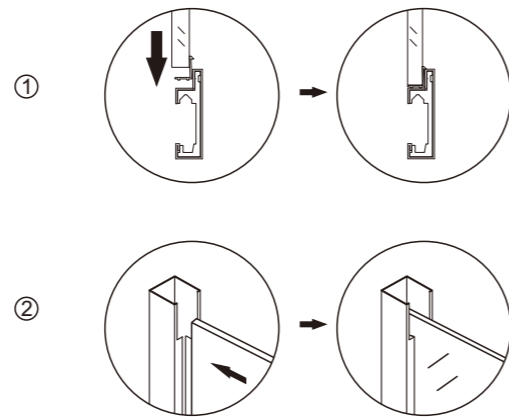
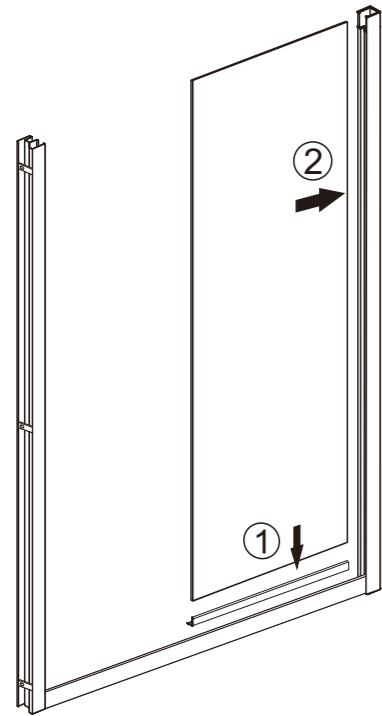
### Step 5



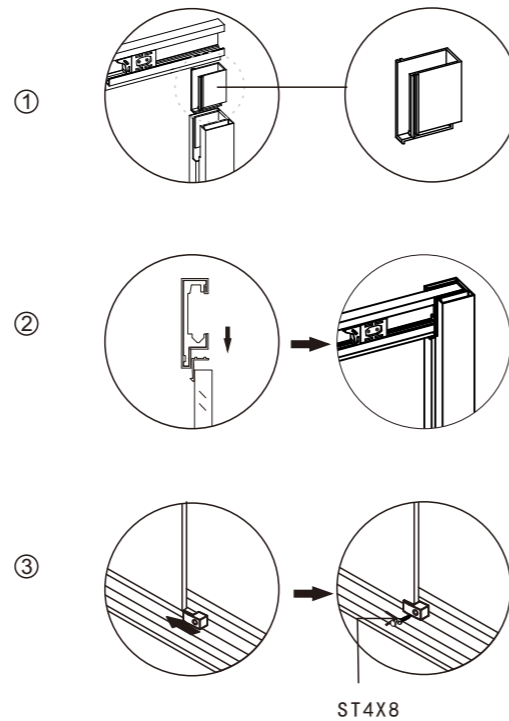
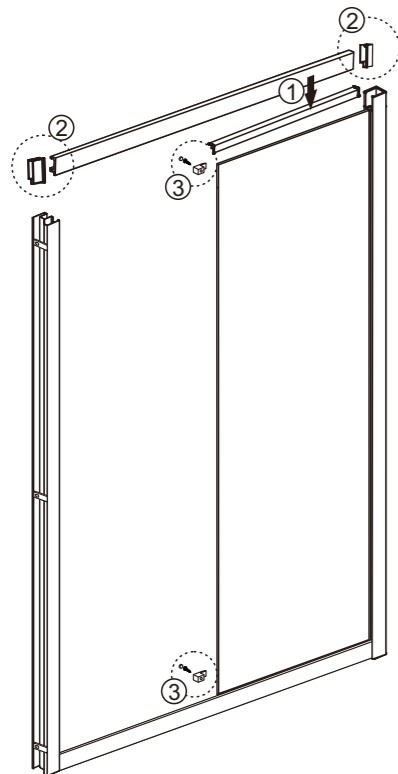
### Step 6



### Step 3



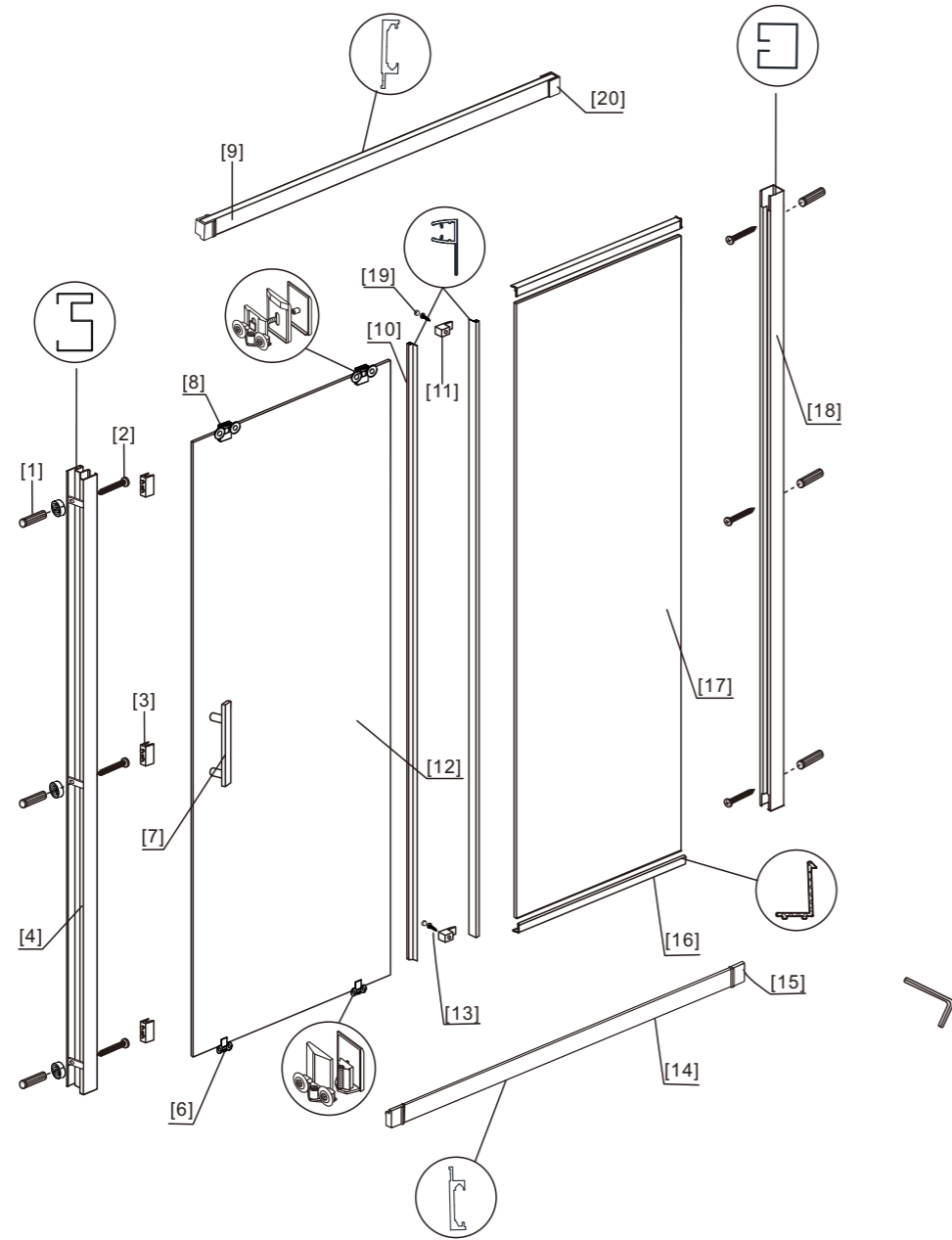
### Step 4



### ◆ Box Contents:

[1] 1xTop Horizontal Rail. 1xBottom Horizontal Rail	➔	
[2] 1xInstallation Instruction.	➔	
[3] 1xHandle Set.	➔	
[4] 2xBumper Blocks. 2xScrews M4x12 2xScrew Cover Caps.	➔	
[5] 3xGlass Blocks. 2xProfile Covers. 2xProfile Covers. 1xSpanner.	➔	
[6] 6xRound Screws M4x35. 6xWall Plugs. 3xBlocks To Wall.	➔	
[7] 2xWater Deflectors.	➔	
[8] 2xWall Posts.	➔	
[10] 1xFixed Panels .	➔	
[11] 1xDoor Panel.	➔	
[12] 2xDeflectors.	➔	

## ◆ Assembly Drawing

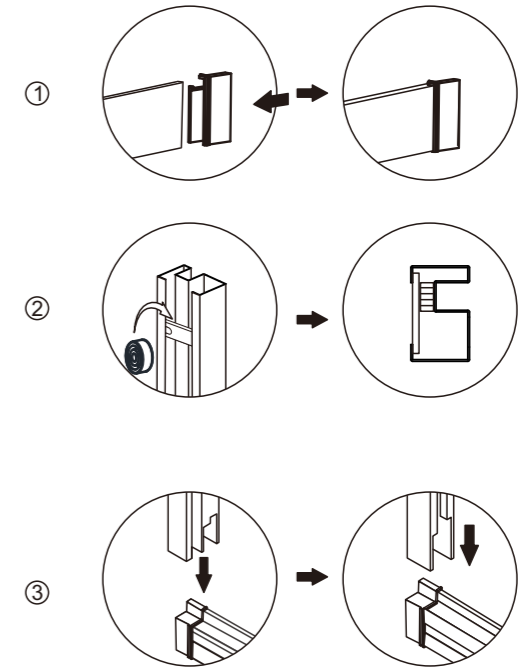
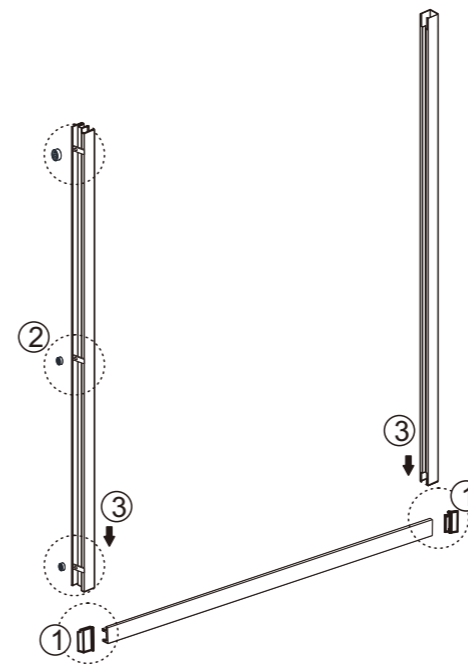


- [1] 6xWall Plugs
- [2] 6xScrews ST4x35
- [3] 3xGlass Blocks
- [4] 1xPost
- [5] 3xBlocks To Wall
- [6] 2xBottom Hooks
- [7] 1xHandle
- [8] 2xTop Hooks
- [9] 1xTop Horizontal Rail
- [10] 1xWater Deflector

- [11] 2xBumper Blocks
- [12] 1xDoor Panel
- [13] 2xScrews ST4x12
- [14] 1xBottom Horizontal Rail
- [15] 2xProfile Covers
- [16] 2xDeflector
- [17] 1xFixed Panel
- [18] 1xPost
- [19] 2xScrew Cover Caps
- [20] 2xProfile Covers

## ◆ Installation Steps

### Step 1



### Step 2

