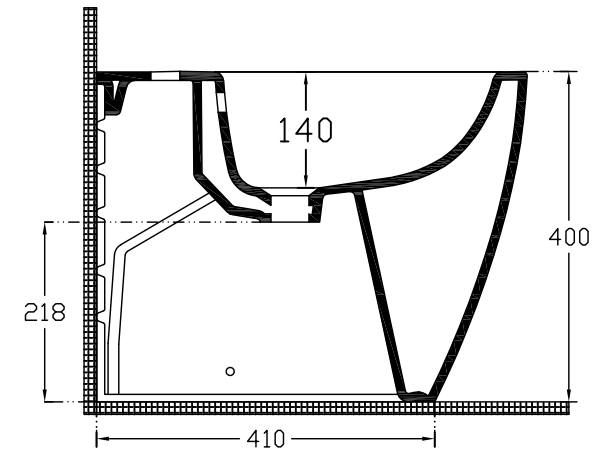
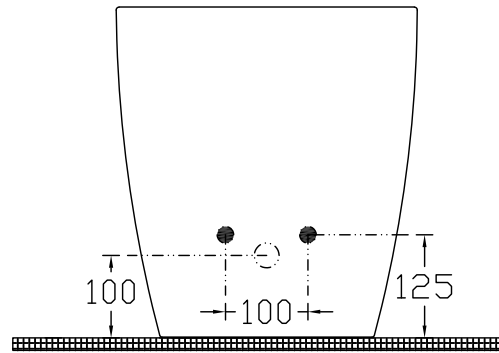
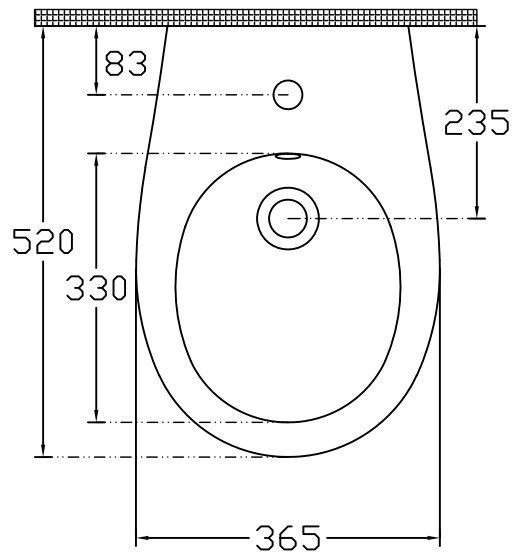




ISVEA

1962 ITALIA

TECHNICAL DRAWING



CODE : 76494

DESCRIPTION : SENTIMENTI BACK TO WALL BIDET

TOLERANCE / TOLERANS : 100 mm ± 1 %

MADE IN TURKEY