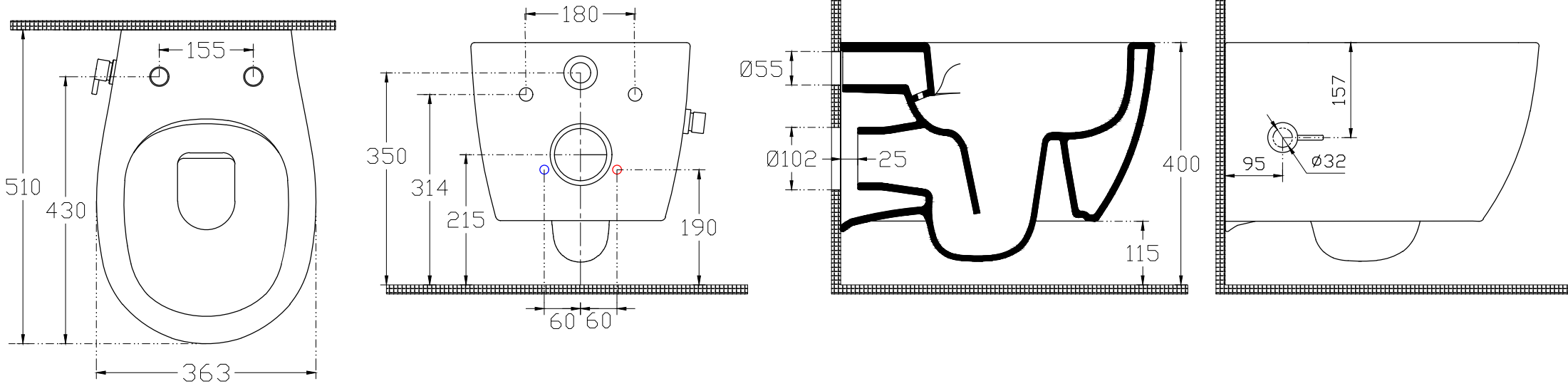




ISVEA

1962 ITALIA

TECHNICAL DRAWING / TEKNİK ÇİZİM



CODE / KOD : 76503

DESCRIPTION / AÇIKLAMA : SENTIMENTI NEO WALL HUNG CLOSET

TOLERANCE / TOLERANS : 100 mm \pm 1 %

MADE IN TURKIYE